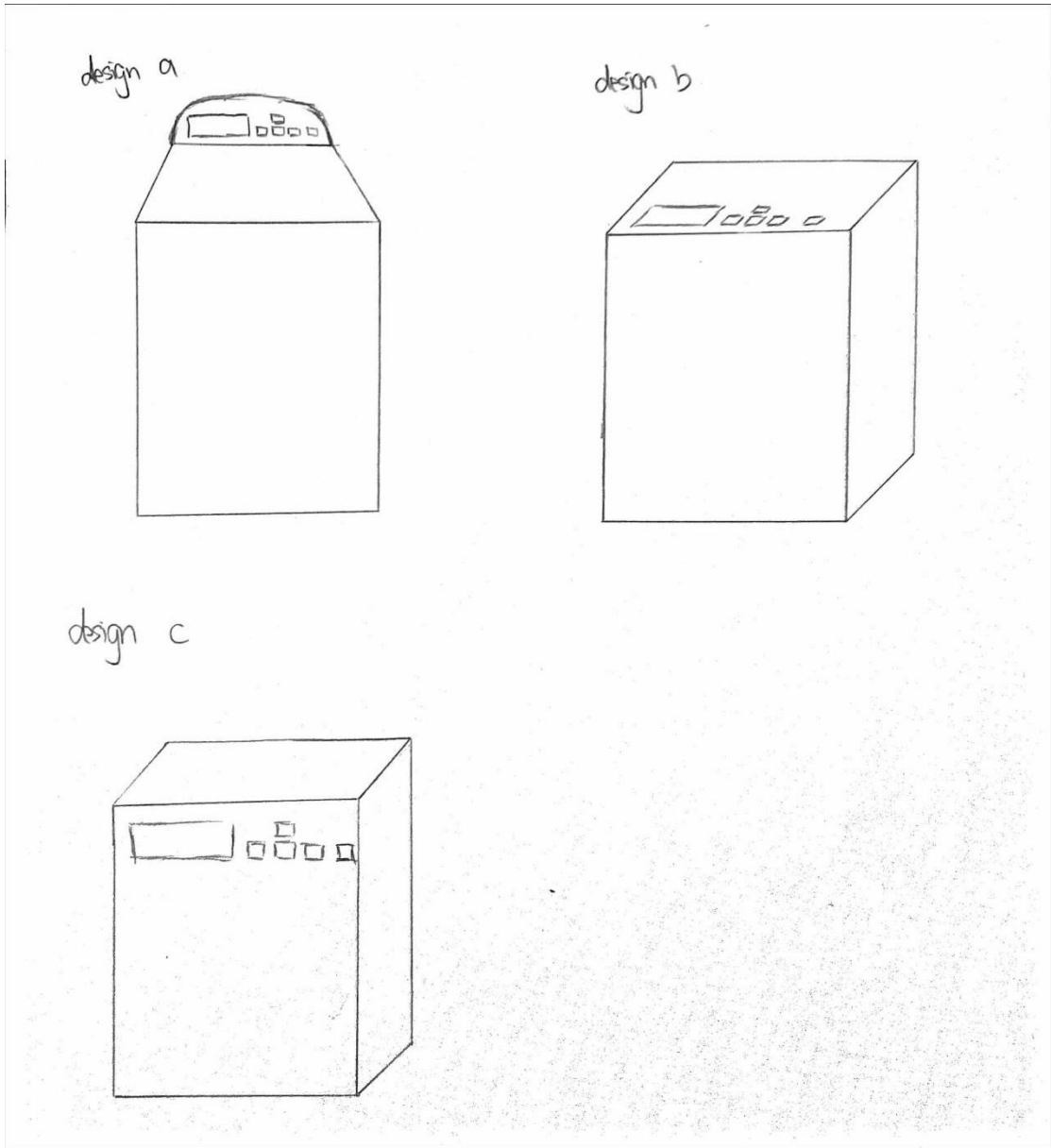
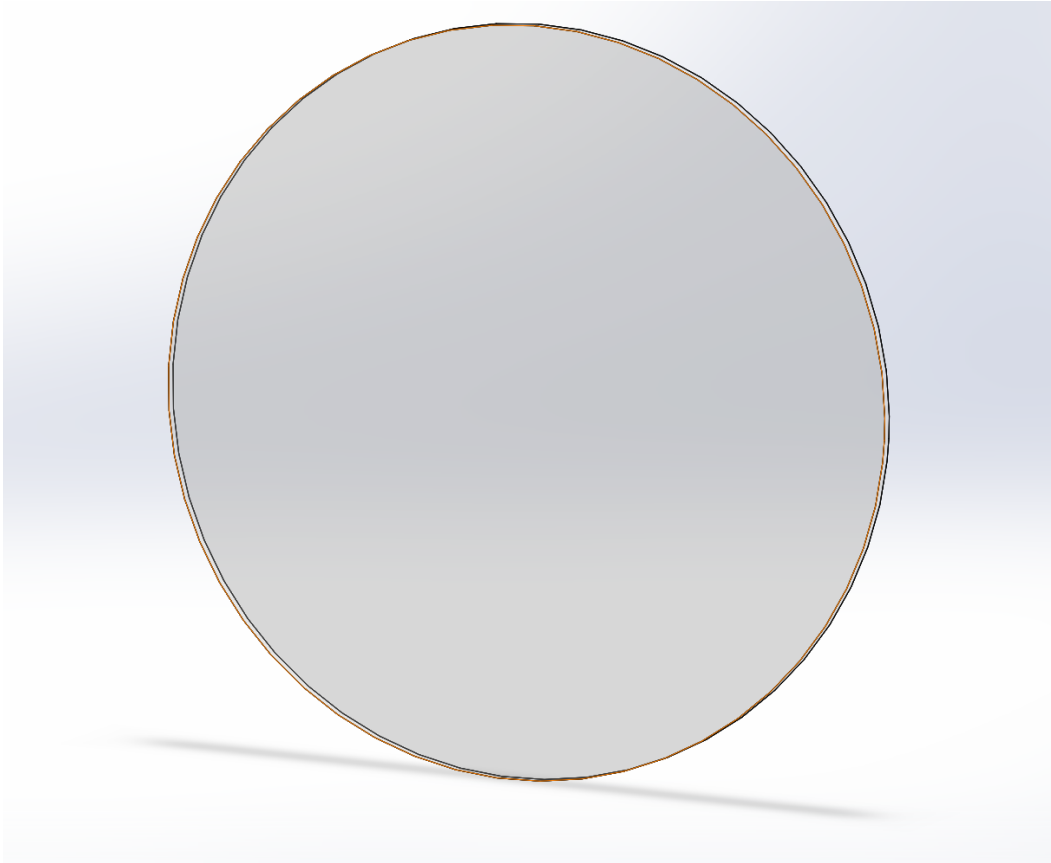


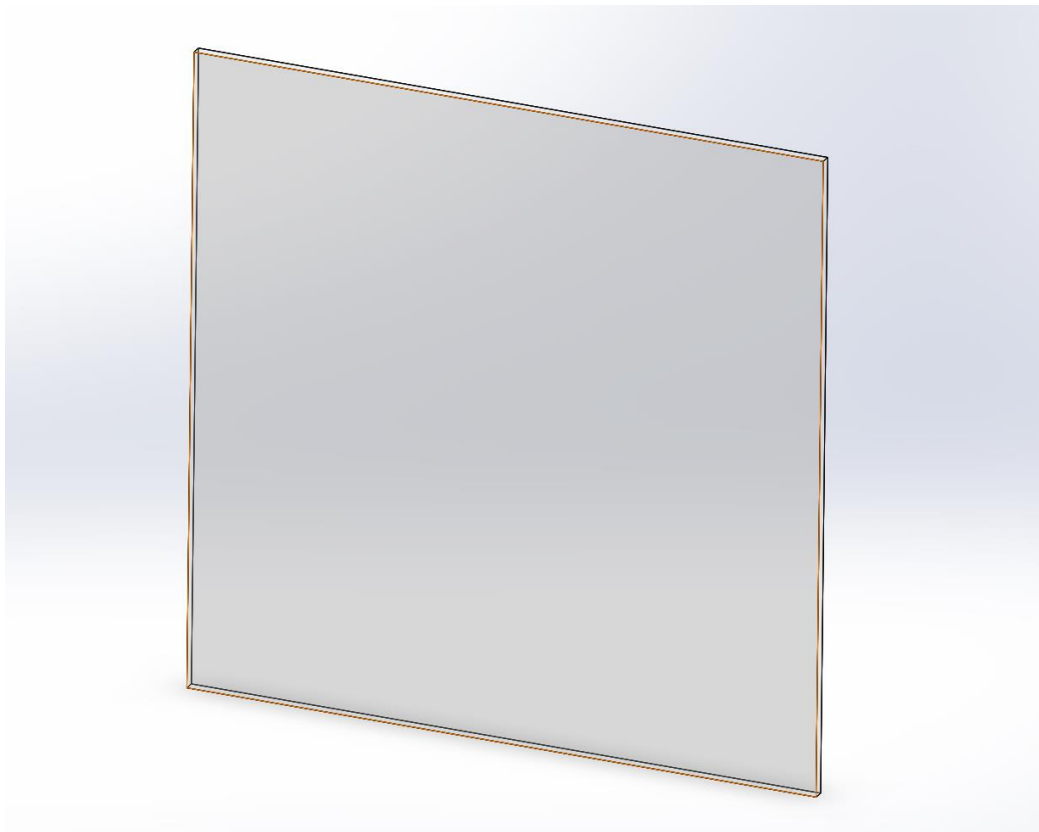
*Figure 16. Enclosure with openings, holes, door and latch*



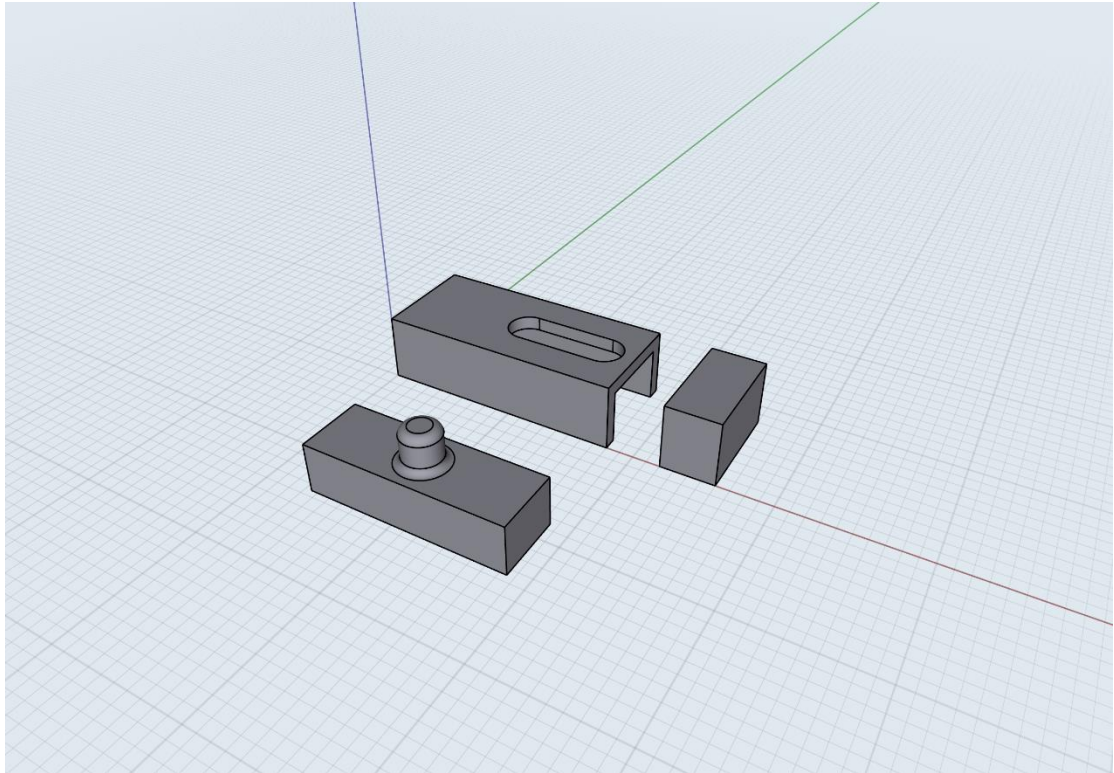
*Figure 17. The design for screen and buttons*



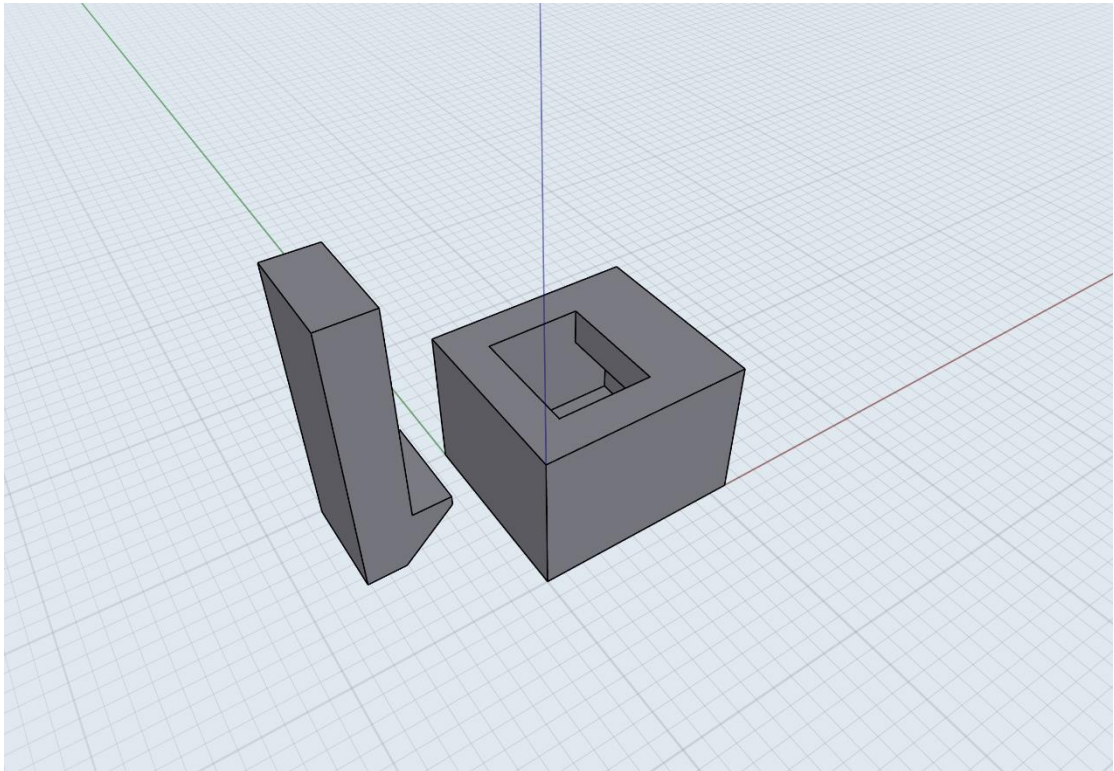
*Figure 18. The round door*



*Figure 19. The rectangle door*



*Figure 20. The second design for latch(washing machine latch)*



*Figure 20. The second design for latch(washing machine latch)*

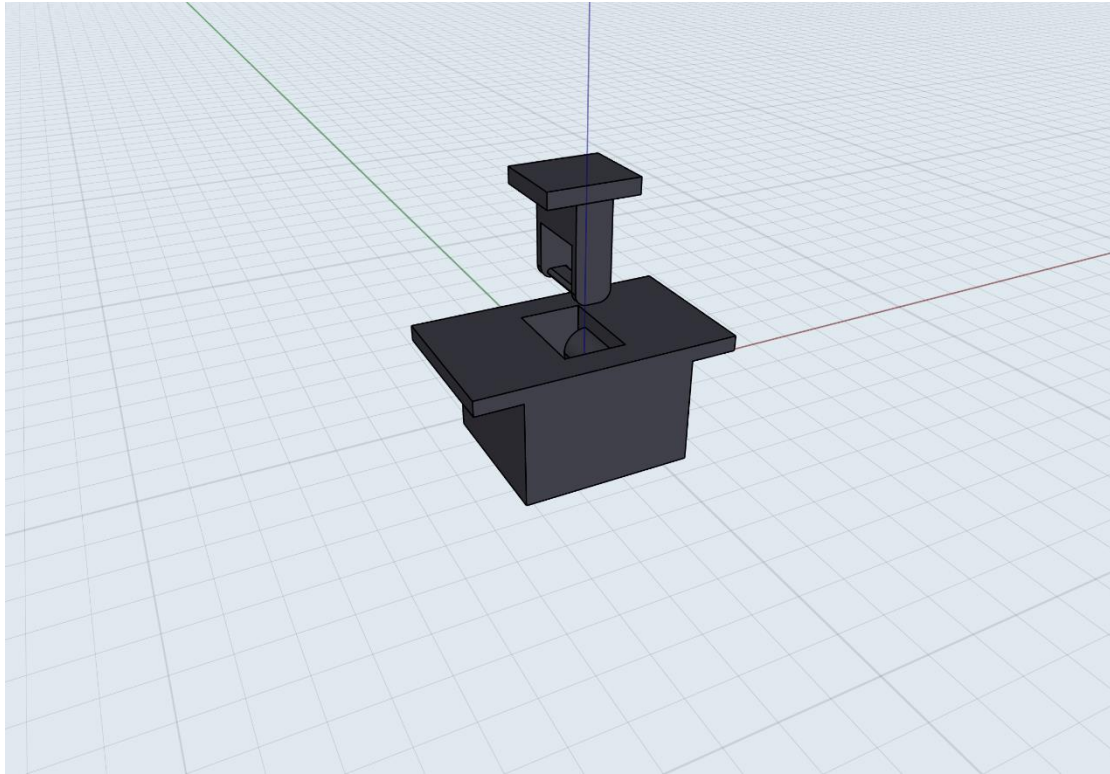


Figure 22. The final design for latch

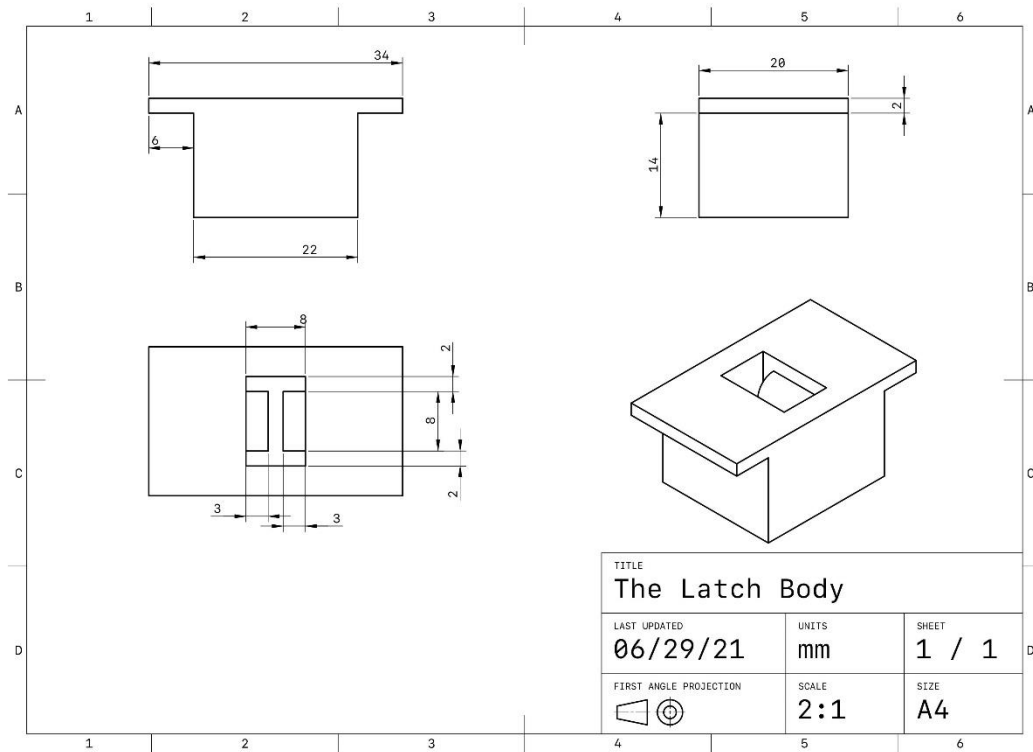


Figure 23. The drawing for latch body

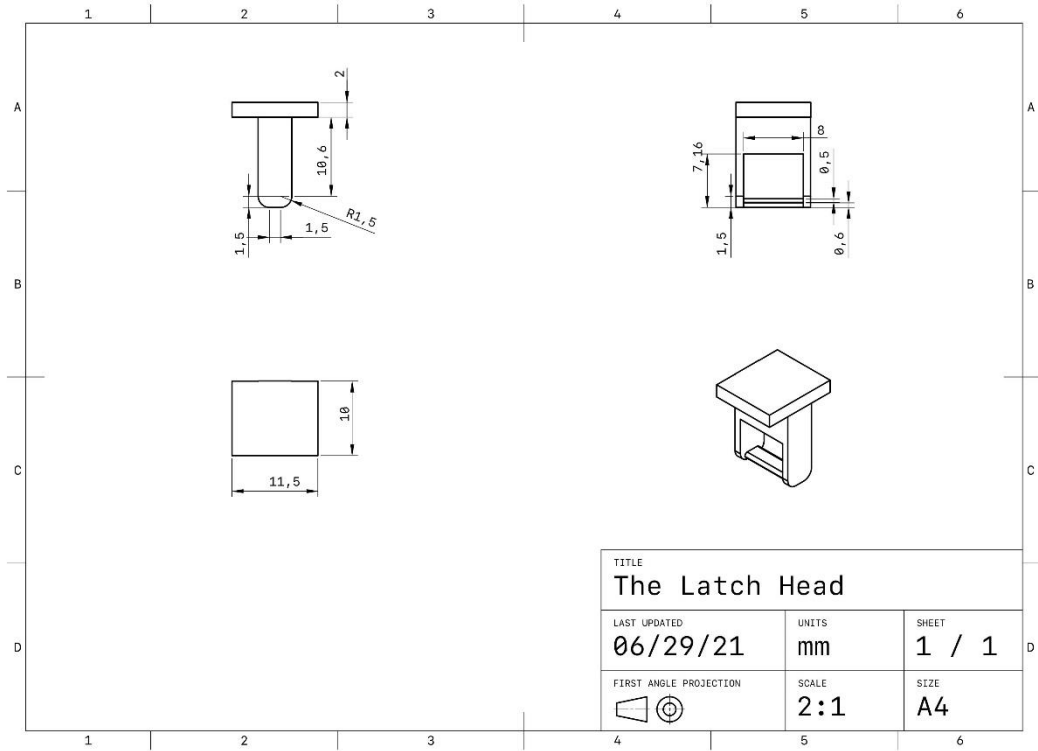


Figure 24. The drawing for latch head