

4

3

2

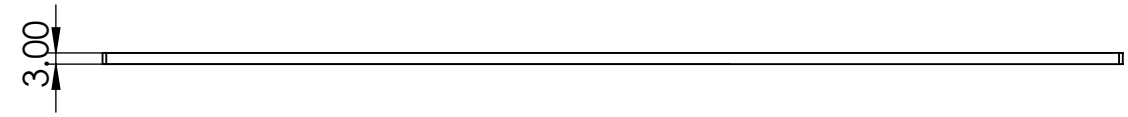
1

B

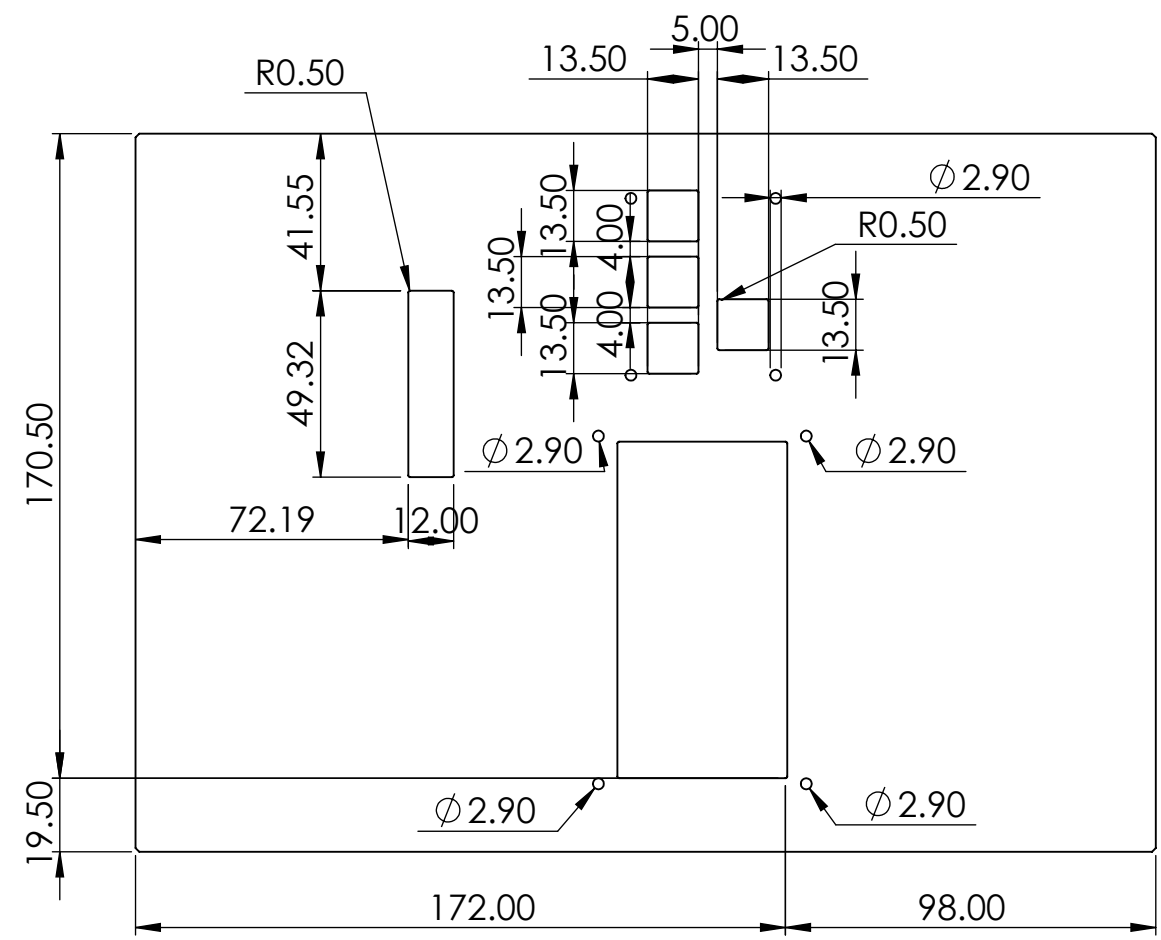
B

A

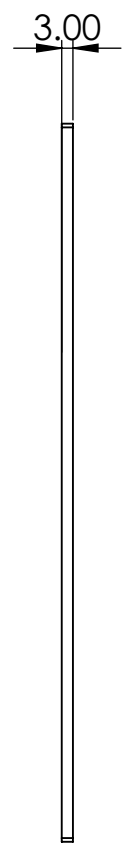
A



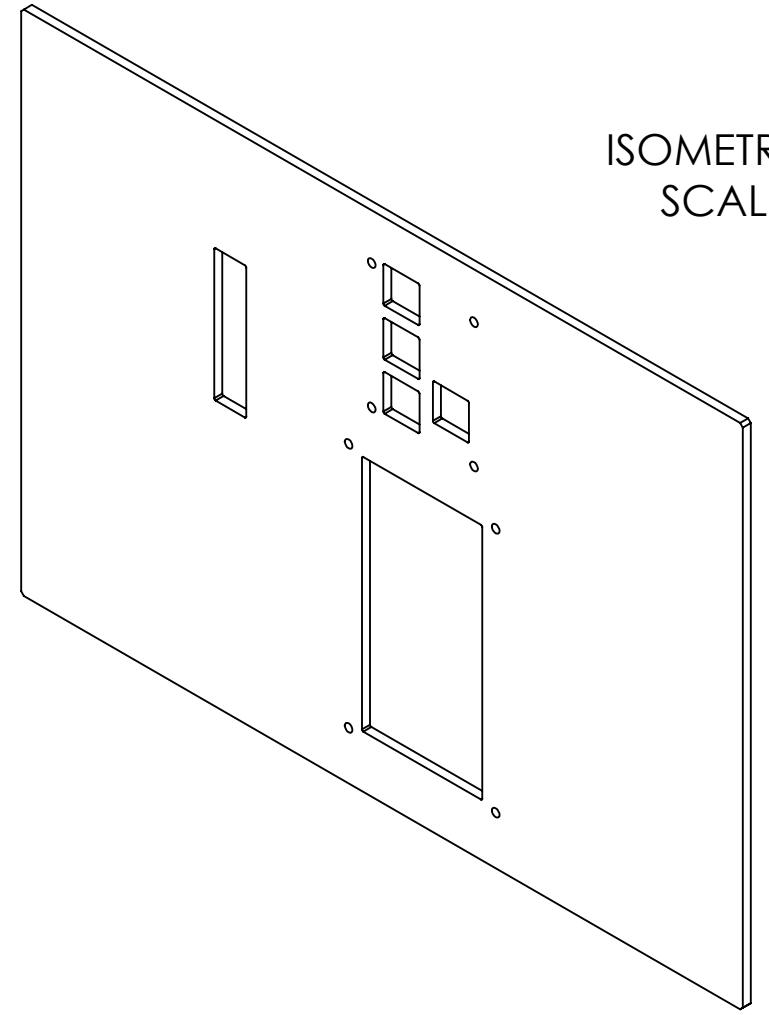
TOP VIEW
SCALE: 1:2



FRONT VIEW
SCALE: 1:2



SIDE VIEW
SCALE: 1:2



ISOMETRIC VIEW
SCALE: 1:2

UNLESS OTHERWISE SPECIFIED:		NAME	DATE
DIMENSIONS ARE IN MM TOLERANCES: 0.XX ± 0.1mm 0.XXX ± 0.05mm	DRAWN	FC & TZ	20/06/23
	CHECKED		
	ENG APPR.		
	MFG APPR.		
INTERPRET GEOMETRIC TOLERANCING PER:	Q.A.		
MATERIAL	COMMENTS:		
FINISH			
DO NOT SCALE DRAWING			

VANT 151 - TEAM 2 ENCLOSURE		
TITLE: TOP PANEL		
SIZE B	DWG. NO. V151-D2-001	REV
SCALE: 1:2	WEIGHT:	SHEET 1 OF 4

PROPRIETARY AND CONFIDENTIAL
THE INFORMATION CONTAINED IN THIS DRAWING IS THE SOLE PROPERTY OF <INSERT COMPANY NAME HERE>. ANY REPRODUCTION IN PART OR AS A WHOLE WITHOUT THE WRITTEN PERMISSION OF <INSERT COMPANY NAME HERE> IS PROHIBITED.

4

3

2

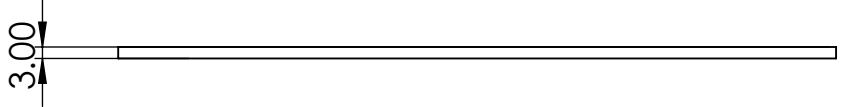
1

4

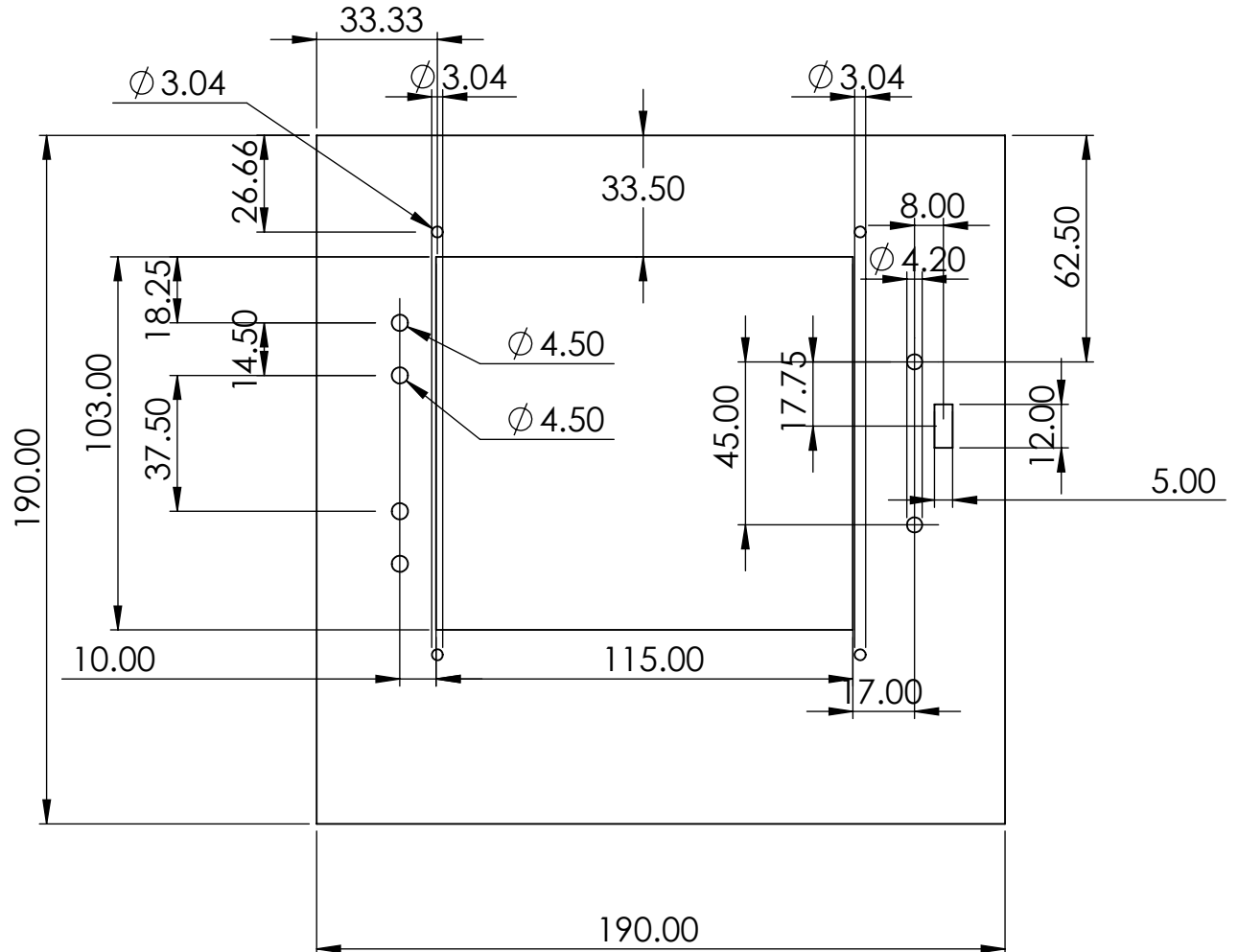
3

2

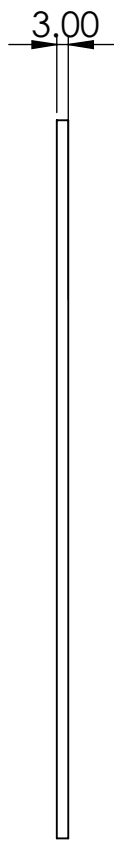
1



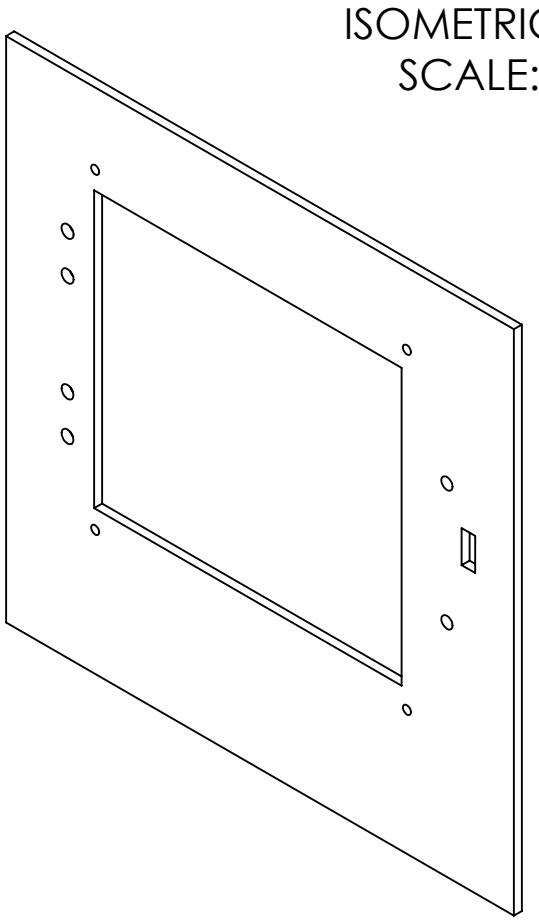
TOP VIEW
SCALE: 1:2



FRONT VIEW
SCALE: 1:2



SIDE VIEW
SCALE: 1:2



ISOMETRIC VIEW
SCALE: 1:2

B

B

A

A

4

3

2

1

UNLESS OTHERWISE SPECIFIED:		NAME	DATE
DIMENSIONS ARE IN MM		DRAWN	FC & TZ 20/06/23
TOLERANCES:		CHECKED	
0.XX ± 0.1mm		ENG APPR.	
0.XXX ± 0.05mm		MFG APPR.	
INTERPRET GEOMETRIC TOLERANCING PER:		Q.A.	
MATERIAL	COMMENTS:		
FINISH			
DO NOT SCALE DRAWING			

VANT 151 - TEAM 2
ENCLOSURE

TITLE:
FRONT PANEL

SIZE	DWG. NO.	REV
B	V151-D2-002	

SCALE: 1:2 WEIGHT: SHEET 2 OF 4

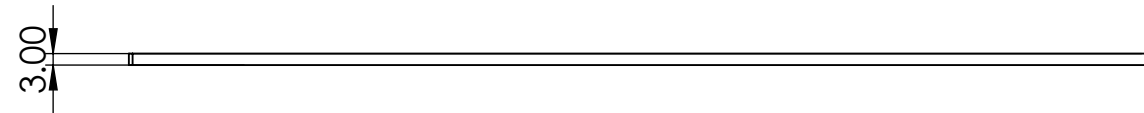
PROPRIETARY AND CONFIDENTIAL
THE INFORMATION CONTAINED IN THIS DRAWING IS THE SOLE PROPERTY OF <INSERT COMPANY NAME HERE>. ANY REPRODUCTION IN PART OR AS A WHOLE WITHOUT THE WRITTEN PERMISSION OF <INSERT COMPANY NAME HERE> IS PROHIBITED.

4

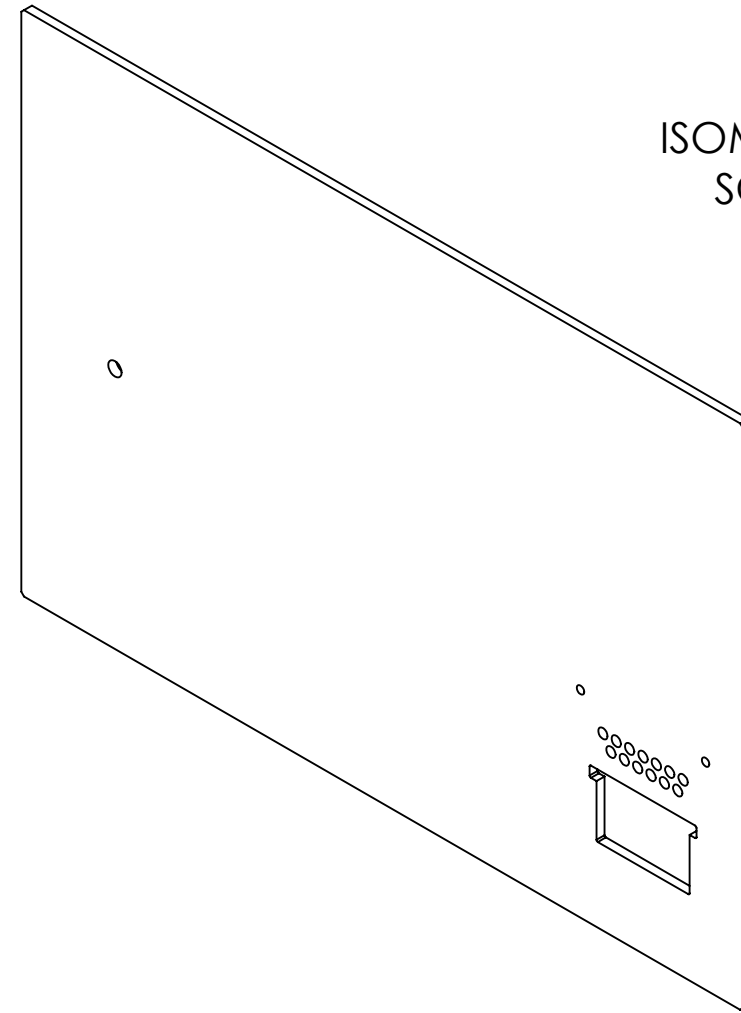
3

2

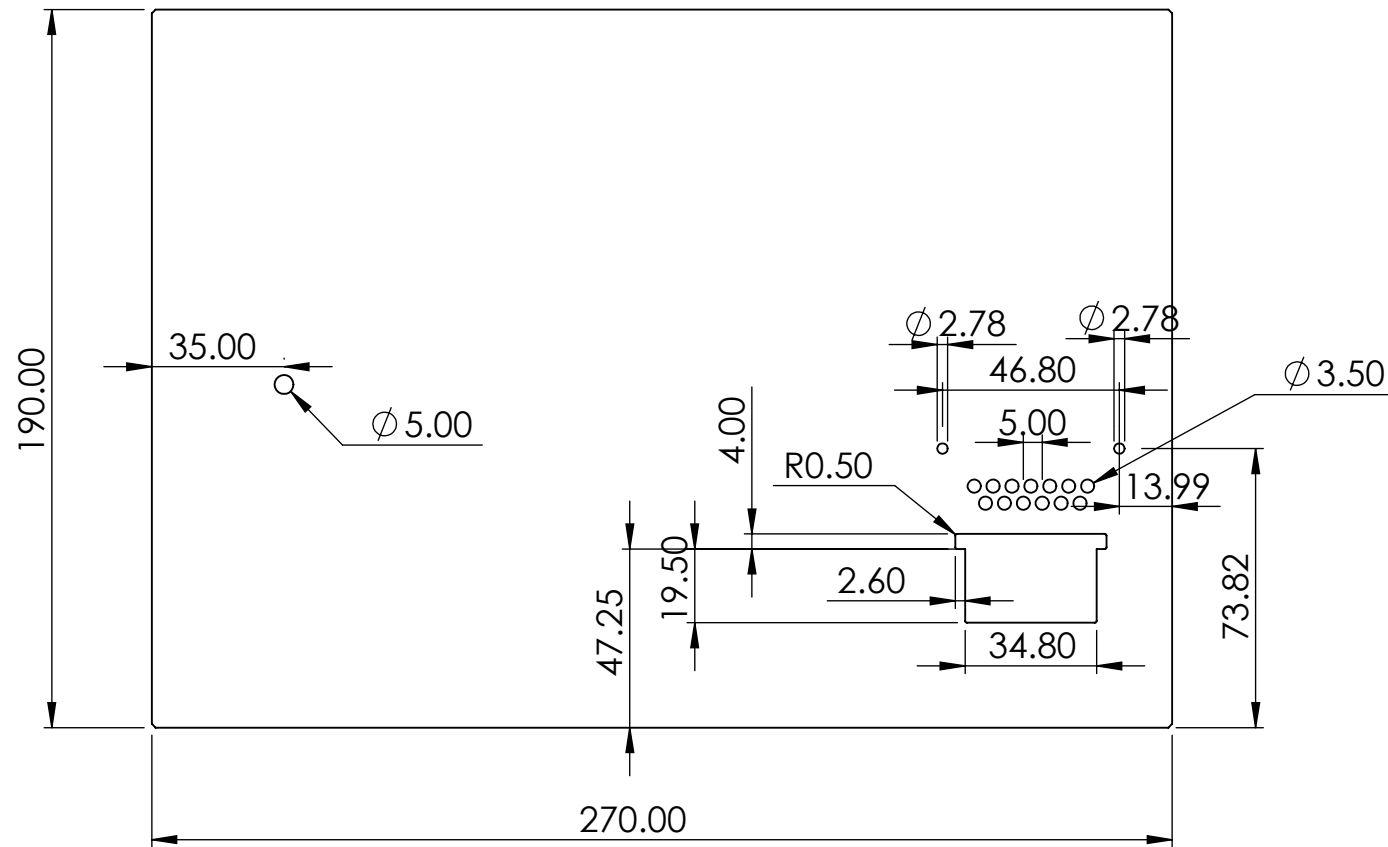
1



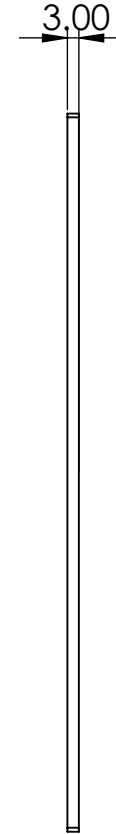
TOP VIEW
SCALE: 1:2



ISOMETRIC VIEW
SCALE: 1:2



FRONT VIEW
SCALE: 1:2



SIDE VIEW
SCALE: 1:2

UNLESS OTHERWISE SPECIFIED:		NAME	DATE
DIMENSIONS ARE IN MM		DRAWN	FC & TZ 20/06/23
TOLERANCES:		CHECKED	
0.XX ± 0.1mm		ENG APPR.	
0.XXX ± 0.05mm		MFG APPR.	
INTERPRET GEOMETRIC TOLERANCING PER:		Q.A.	
MATERIAL		COMMENTS:	
FINISH			
DO NOT SCALE DRAWING			

VANT 151 - TEAM 2 ENCLOSURE			
TITLE: SIDE PANEL			
SIZE	DWG. NO.	REV	
B	V151-D2-003		
SCALE: 1:2	WEIGHT:	SHEET 3 OF 4	

PROPRIETARY AND CONFIDENTIAL
THE INFORMATION CONTAINED IN THIS DRAWING IS THE SOLE PROPERTY OF <INSERT COMPANY NAME HERE>. ANY REPRODUCTION IN PART OR AS A WHOLE WITHOUT THE WRITTEN PERMISSION OF <INSERT COMPANY NAME HERE> IS PROHIBITED.

B

B

A

A

4

3

2

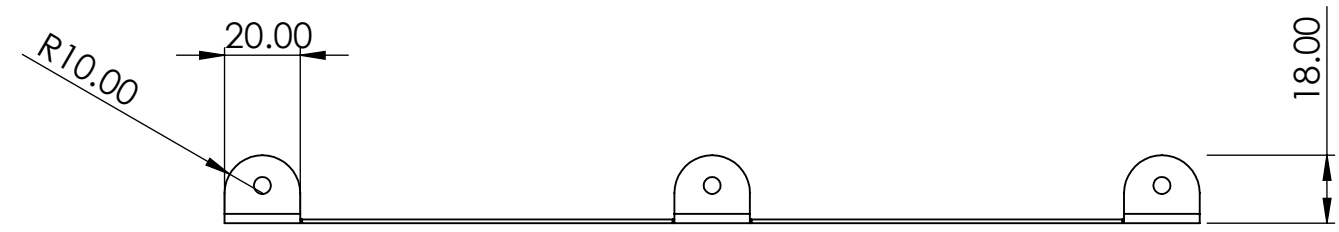
1

4

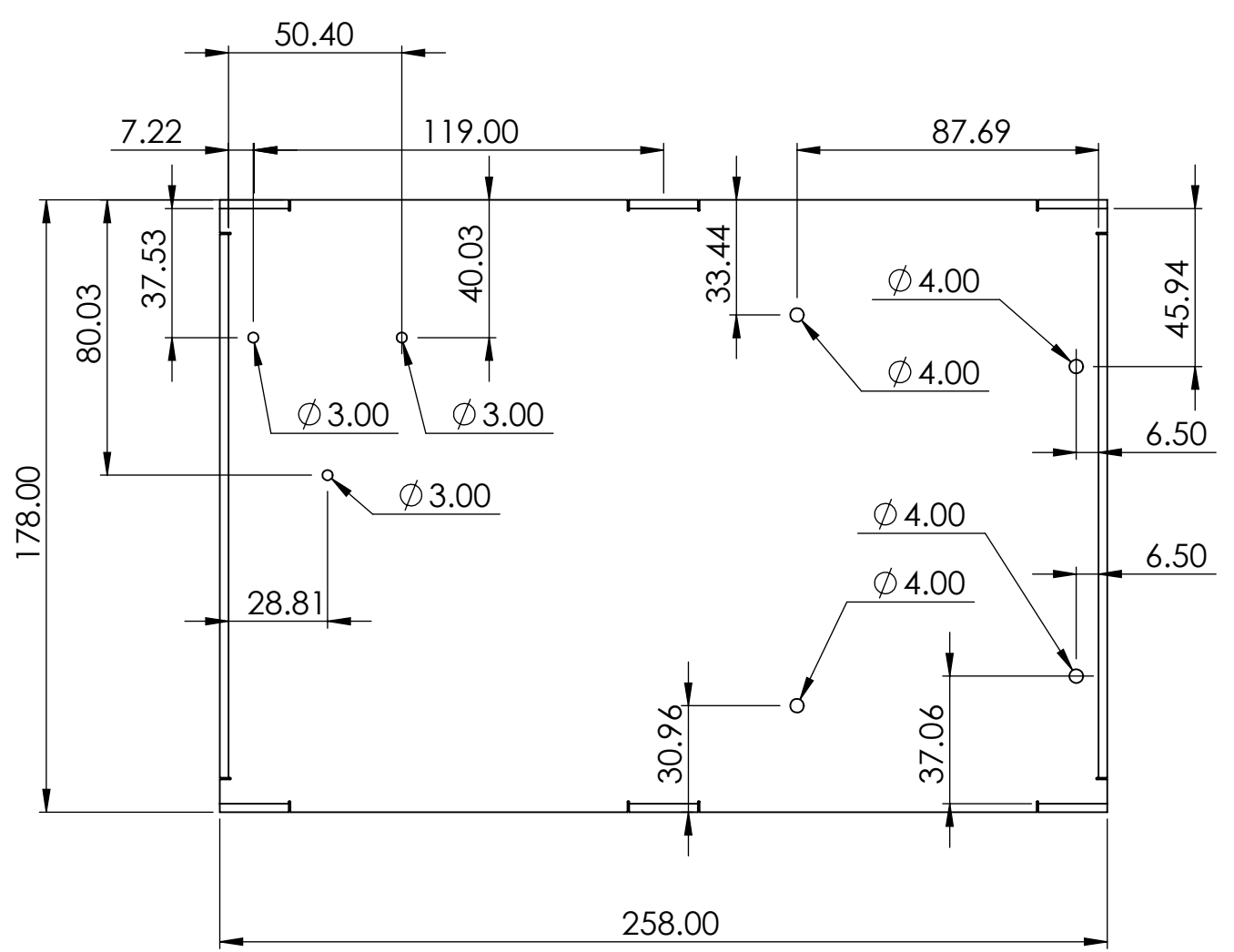
3

2

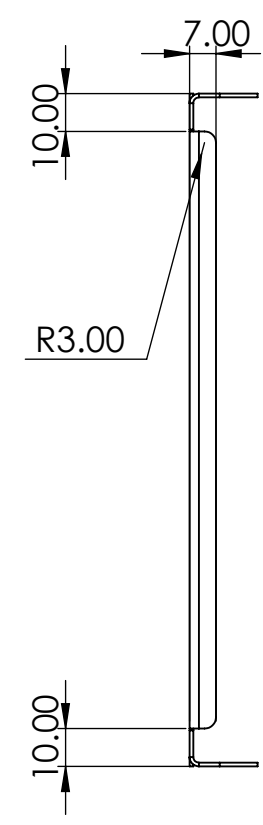
1



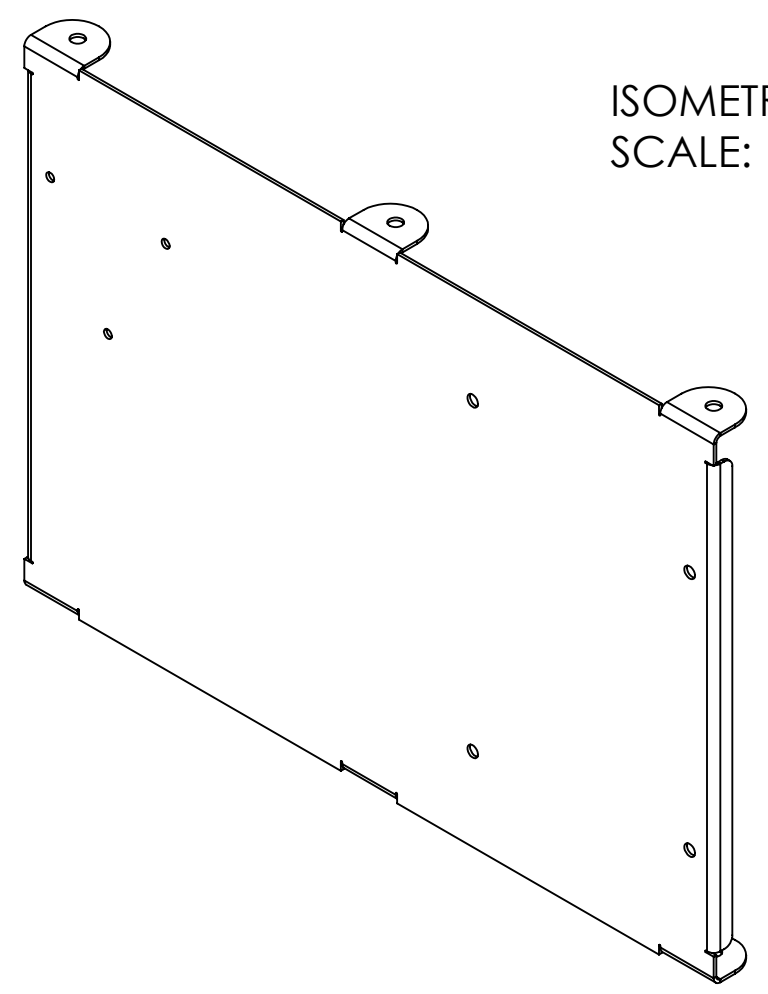
TOP VIEW
SCALE:1:2



FRONT VIEW
SCALE:1:2



SIDE VIEW
SCALE: 1:2



ISOMETRIC VIEW
SCALE: 1:2

B

B

A

A

4

3

2

1

UNLESS OTHERWISE SPECIFIED:		NAME	DATE	VANT 151 - TEAM 2 ENCLOSURE	
DIMENSIONS ARE IN MM TOLERANCES: 0.XX ± 0.1mm 0.XXX ± 0.05mm		DRAWN	FC & TZ		
INTERPRET GEOMETRIC TOLERANCING PER:		CHECKED			TITLE: BOTTOM PANEL
MATERIAL		ENG APPR.			
FINISH		MFG APPR.			
DO NOT SCALE DRAWING		Q.A.			SIZE DWG. NO. REV
		COMMENTS:			B V151-D2-004
					SCALE:1:2 WEIGHT: SHEET 4 OF 4

PROPRIETARY AND CONFIDENTIAL
THE INFORMATION CONTAINED IN THIS
DRAWING IS THE SOLE PROPERTY OF
<INSERT COMPANY NAME HERE>. ANY
REPRODUCTION IN PART OR AS A WHOLE
WITHOUT THE WRITTEN PERMISSION OF
<INSERT COMPANY NAME HERE> IS
PROHIBITED.