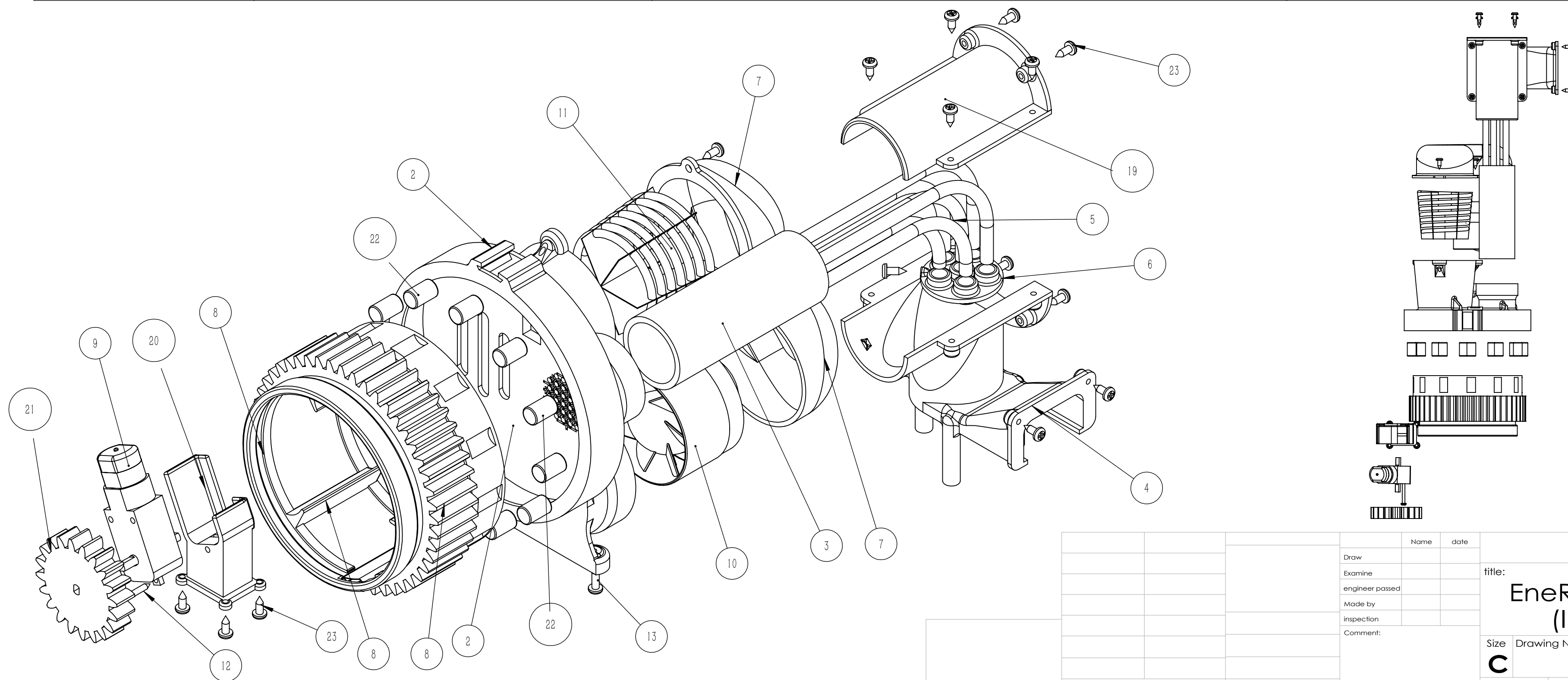


Project number	Part Number	Explanation	Number
1	Hinge		1
2	Air Ducts (Student)		1
3	Clear Pipe	About 0.1 m per team, students cut the length they need	1
4	HX Outlet		1
5	Copper Tubes	1.8 m per team	1
6	Tube Holder		1
7	U Turn		1
8	Drum (Student)	Students cut the length they need	1
9	Yellow Motor		1
10	Fan		1
11	Heater		1
12	ISO 10642 - M4 x 8 - 8N		8
13	ISO 4762 M4 x 6 - 6N		10
14	Pan Head Self-Tapping Screw #4 1"	180 x 180 to 190 x 190	1
15	Pan Head Self-Tapping Screw #6 1\2"	180 x 180 to 190 x 190	7
16	Pan Head Self-Tapping Screw #6 3\8"	180 x 180 to 190 x 190	23
17	Pan Head Self-Tapping Screw #6 1\4"	180 x 180 to 190 x 190	1
18	Pan Head Self-Tapping Screw #4 1\4"	180 x 180 to 190 x 190	1
19	heater gaizi		1
20	motor support(2)		1
21	Metric - Spur gear 2.5M 20T 20PA 12FW ---S20N75H50L5N		1
22	Roller		12
23	Pan Head Self-Tapping Screw #6 3\8"	18	18



Name	date
Draw	
Examine	
engineer passed	
Made by	
Inspection	
Comment:	

title:		EneRec Dryer (Inside)	
Size	Drawing No.	revise	
C		-01	
Proportion: 1:1	wight:	Drawing1 (1)	