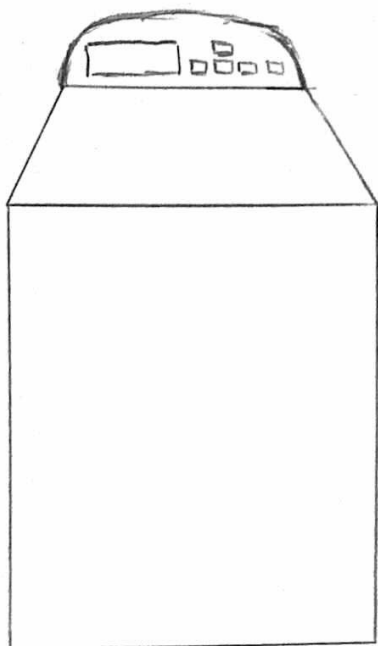
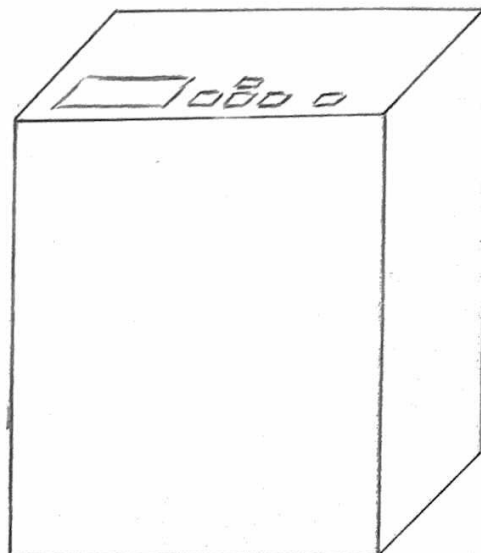


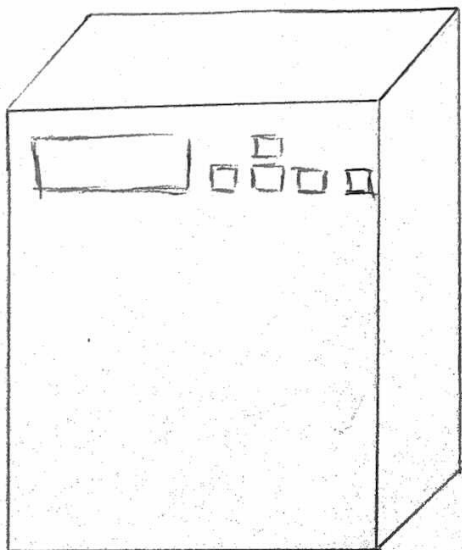
design a



design b



design c

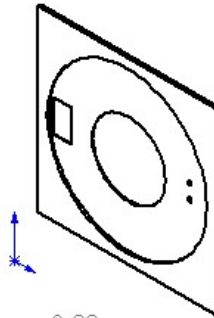


2

1

B

B



<MOD-DIAM>170.00

<MOD-DIAM>78.00

<MOD-DIAM>4.00

34.00  
20.00

3.00

190.00

A

A

PROPRIETARY AND CONFIDENTIAL  
THE INFORMATION CONTAINED IN THIS  
DRAWING IS THE SOLE PROPERTY OF  
<INSERT COMPANY NAME HERE>. ANY  
REPRODUCTION IN PART OR AS A WHOLE  
WITHOUT THE WRITTEN PERMISSION OF  
<INSERT COMPANY NAME HERE> IS  
PROHIBITED.

		UNLESS OTHERWISE SPECIFIED:	NAME	DATE
		DIMENSIONS ARE IN INCHES		
		TOLERANCES:	DRAWN	
		FRACTIONAL	CHECKED	
		ANGULAR: MACH BEND	ENG APPR.	
		TWO PLACE DECIMAL	MFG APPR.	
		THREE PLACE DECIMAL	D.A.	
		INTERPRET GEOMETRIC TOLERANCING PER:	COMMENTS:	
		MATERIAL		
		FINISH		
NEXT ASSY	USED ON			
APPLICATION		DO NOT SCALE DRAWING		

Team4 Enclosure

TITLE:

FRONT PANEL

SIZE

DWG. NO.

REV

**A**

SCALE: 1:4

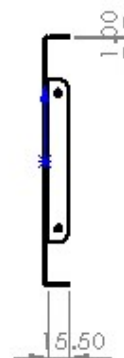
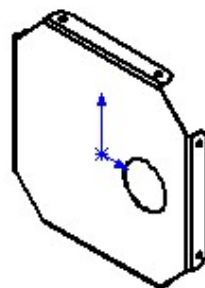
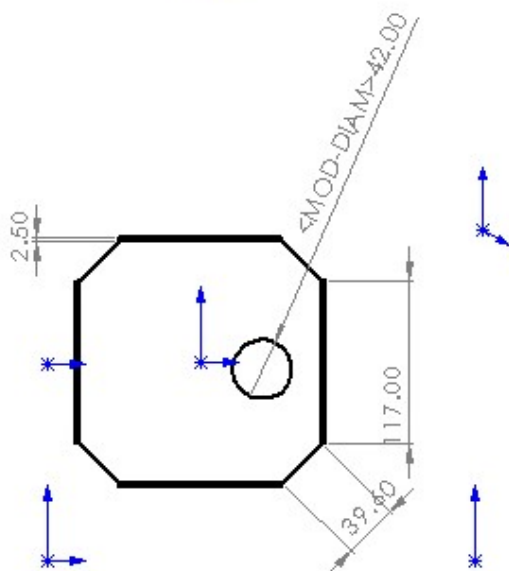
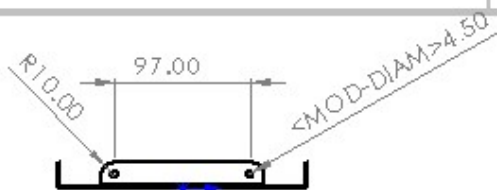
SHEET 1 OF 1

2

1

B

A



B

A

PROPRIETARY AND CONFIDENTIAL  
THE INFORMATION CONTAINED IN THIS  
DRAWING IS THE SOLE PROPERTY OF  
CSIESTY COMPANY. ANY REPRODUCTION  
OR PART OF AS A WHOLE  
WITHOUT THE WRITTEN PERMISSION OF  
CSIESTY COMPANY IS PROHIBITED.

		UNLESS OTHERWISE SPECIFIED:	NAME	DATE
		DIMENSIONS ARE IN INCHES	DRAWN	
		FRACTIONS	CHECKED	
		ANGULARS IN DEGREES	ENG APPR	
		TWO PLACE DECIMAL	MFG APPR	
		THREE PLACE DECIMAL	Q.A.	
		DIFFERENT GEOMETRIC TOLERANCING PER ASME Y14.5	COMMENTS:	
NEXT ASSY	MOD ON	FINISH		
APPLICATION		DO NOT SCALE DRAWING		

Team 4 Enclosure

TITLE:

BACK PANEL

SIZE

A

DWG. NO.

REV

SCALE: 1:4

SHEET 1 OF 1

2

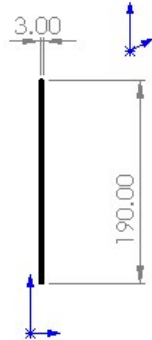
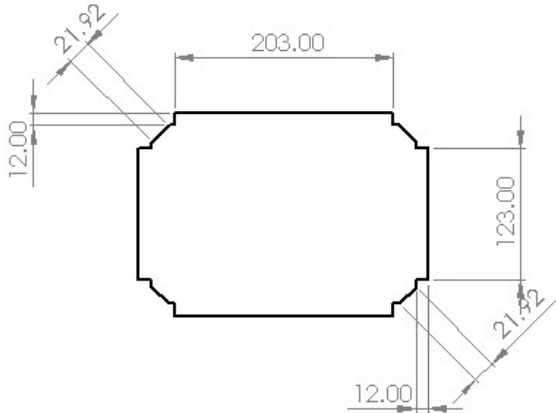
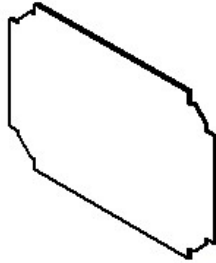
1

2

1

B

B



A

A

PROPRIETARY AND CONFIDENTIAL  
 THE INFORMATION CONTAINED IN THIS  
 DRAWING IS THE SOLE PROPERTY OF  
 <FIRM COMPANY NAME HERE>, AND  
 REPRODUCTION IN PART OR AS A WHOLE  
 WITHOUT THE WRITTEN PERMISSION OF  
 <FIRM COMPANY NAME HERE> IS  
 PROHIBITED.

		UNLESS OTHERWISE SPECIFIED:		NAME	DATE
		DIMENSIONS ARE IN INCHES TOLERANCES: FRACTIONAL ANGULAR: MATCH BEND TWO PLACE DECIMAL THREE PLACE DECIMAL		DRAWN	
		INTERPRET GEOMETRIC TOLERANCING PER: MATERIAL:		CHECKED	
		FINISH		ENG APPR.	
NEXT ASSY	USED ON			MFG APPR.	
APPLICATION		DO NOT SCALE DRAWING		Q.A.	
				COMMENTS:	

Team4 Enclosure

TITLE:

LEFT SIDE PANEL

SIZE	DWGC. NO.	REV
------	-----------	-----

<b>A</b>		
SCALE: 1:5		SHEET 1 OF 1

2

1

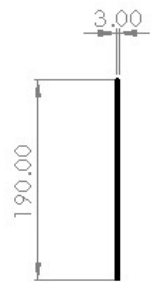
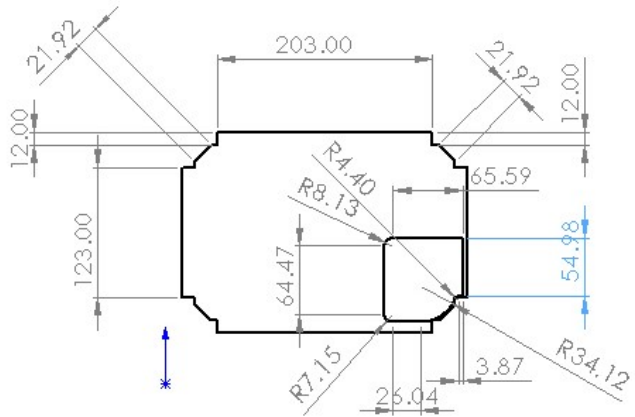
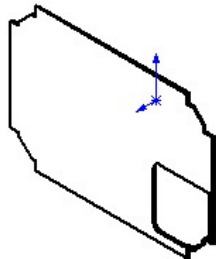


2

1

B

B



A

A

PROPRIETARY AND CONFIDENTIAL  
 THE INFORMATION CONTAINED IN THIS  
 DRAWING IS THE SOLE PROPERTY OF  
 INEGI COMPANY NAME HERE. ANY  
 REPRODUCTION IN PART OR AS A WHOLE  
 WITHOUT THE WRITTEN PERMISSION OF  
 INEGI COMPANY NAME HERE IS  
 PROHIBITED.

		UNLESS OTHERWISE SPECIFIED:	NAME	DATE
		DIMENSIONS ARE IN INCHES	DRAWN	
		TOLERANCES:	CHECKED	
		FRACTIONAL	ENG APPR.	
		ANGULAR: MATCH BEND	WFG APPR.	
		TWO PLACE DECIMAL	Q.A.	
		THREE PLACE DECIMAL	COMMENTS:	
		INTERPRETING		
		ID: ERANCING PER:		
		MATERIAL:		
		FINISH:		
NEXT ASSY	USED ON			
APPLICATION		DO NOT SCALE DRAWING		

Team4 Enclosure

TITLE:  
**RIGHT SIDE PANEL**

SIZE	DWG. NO.	REV
<b>A</b>		
SCALE: 1:5		SHEET 1 OF 1

2

1

B

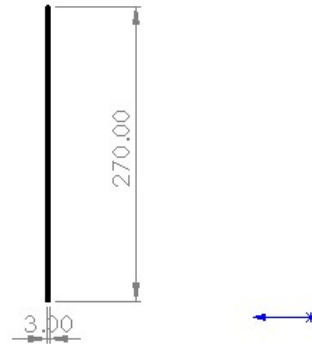
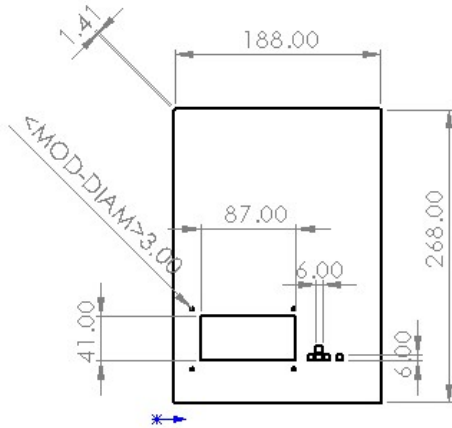
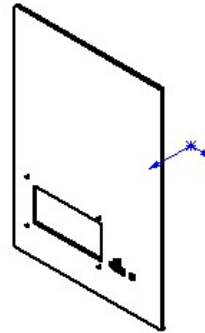
B

A

A

2

1



**PROPRIETARY AND CONFIDENTIAL**  
 THE INFORMATION CONTAINED IN THIS DRAWING IS THE SOLE PROPERTY OF <INSERT COMPANY NAME HERE>. ANY REPRODUCTION IN PART OR AS A WHOLE WITHOUT THE WRITTEN PERMISSION OF <INSERT COMPANY NAME HERE> IS PROHIBITED.

NEXTASSY	USED ON	UNLESS OTHERWISE SPECIFIED:	NAME	DATE
		DIMENSIONS ARE IN INCHES	DRAWN	
		TOLERANCES:	CHECKED	
		FRACTIONAL	ENG APPR.	
		INTERPRET GEOMETRIC TOLERANCING PER:	MFG APPR.	
		MATERIAL	QA	
		FINISH	COMMENTS:	
		DO NOT SCALE DRAWING		

Team 4 Enclosure		
TITLE: <b>TOP PANEL</b>		
SIZE <b>A</b>	DWG. NO.	REV
SCALE: 1:5		SHEET 1 OF 1

2

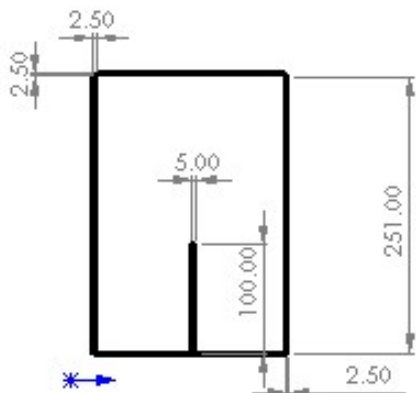
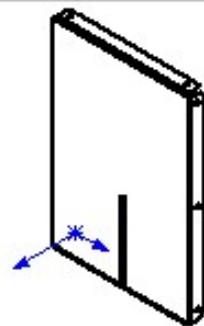
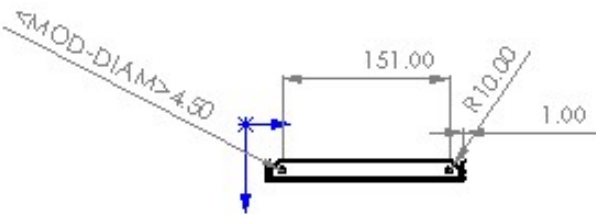
1

2

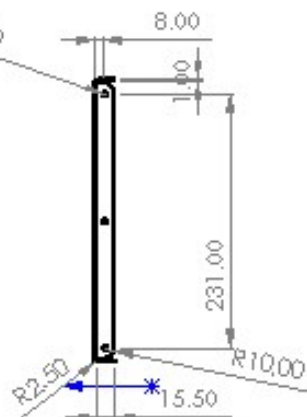
1

B

B



&lt;MOD-DIAM&gt;4.50



A

A

PROPRIETARY AND CONFIDENTIAL  
 ALL INFORMATION CONTAINED HEREIN IS THE PROPERTY OF  
 AND IS TO BE USED ONLY FOR THE SPECIFIC PROJECT AND  
 REPRODUCTION IN PART OR AS A WHOLE WITHOUT THE  
 WRITTEN PERMISSION OF AND IS TO BE DESTROYED  
 IMMEDIATELY UPON COMPLETION OF THE PROJECT.

		UNLESS OTHERWISE SPECIFIED:	NAME	DATE
		DIMENSIONS ARE IN INCHES TOLERANCES: FRACTIONAL ANGULAR HATCH 3/16" HOLE PLAC. DECIMAL HOLE PLAC. DECIMAL	DRAWN	
		UNLESS OTHERWISE SPECIFIED: FINISHES: AS SHOWN	CHECKED	
			ENG. APPR.	
			MFG. APPR.	
			QA	
			COMMENTS:	
PTX ASSY	LEFT CH	REV		
APPLICATION		DESCRIPTION/DRAWING		

Team 4 Enclosure

TITLE:

BOTTOM PANEL

SEE DWG. NO.

REV

**A**

SCALE: 1:1

SHEET 1 OF 1

2

1

1

2

3

4

5

6

A

B

C

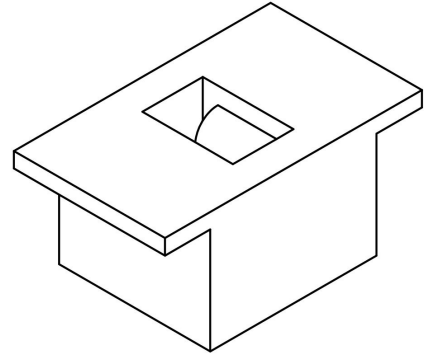
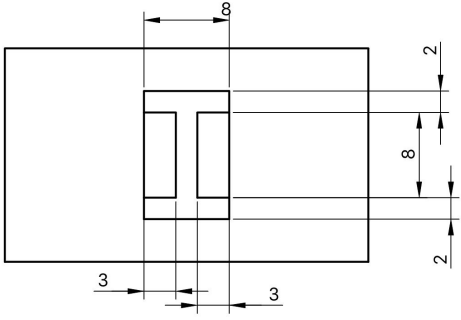
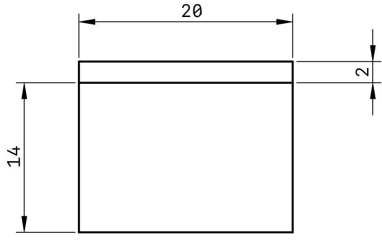
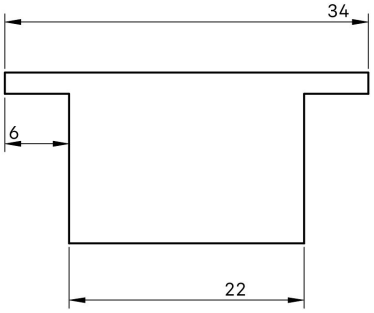
D

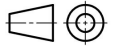
A

B

C

D



TITLE		
The Latch Body		
LAST UPDATED	UNITS	SHEET
06/29/21	mm	1 / 1
FIRST ANGLE PROJECTION	SCALE	SIZE
	2:1	A4

1

2

3

4

5

6



1

2

3

4

5

6

A

B

C

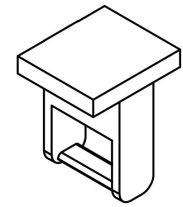
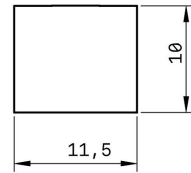
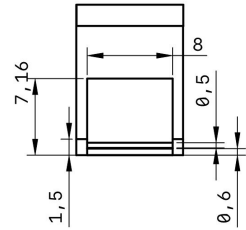
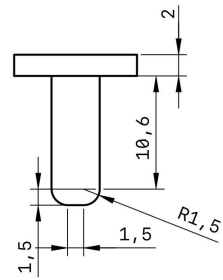
D

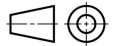
A

B

C

D



TITLE		
The Latch Head		
LAST UPDATED	UNITS	SHEET
06/29/21	mm	1 / 1
FIRST ANGLE PROJECTION	SCALE	SIZE
	2:1	A4

1

2

3

4

5

6