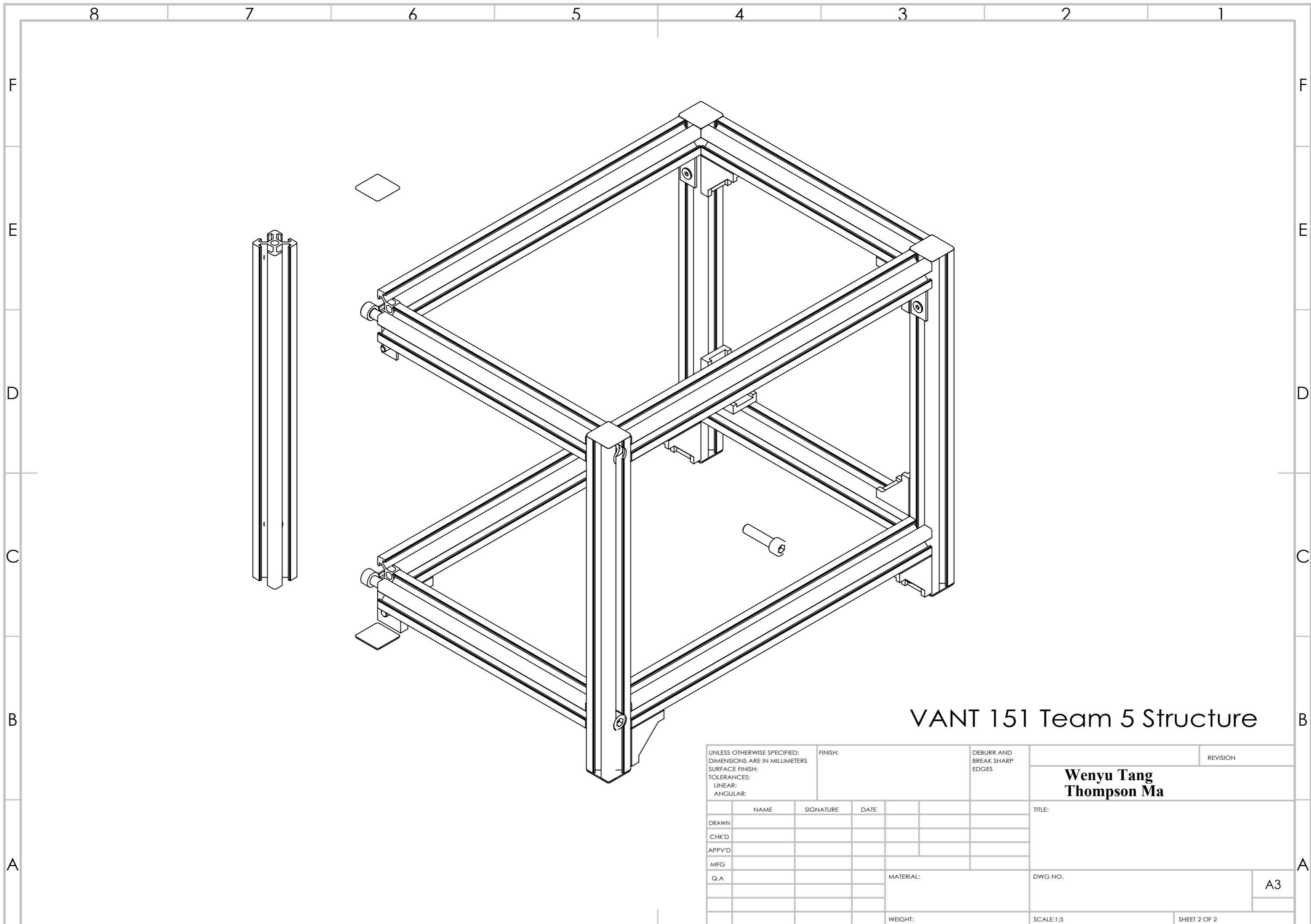


VANT 151 Team 5 Structure

UNLESS OTHERWISE SPECIFIED: DIMENSIONS ARE IN MILLIMETERS				FINISH:		DEBURR AND BREAK SHARP EDGES		REVISION	
SURFACE FINISH:								Wenyu Tang Thompson Ma	
TOLERANCES:									
LINEAR:								TITLE:	
ANGULAR:								DWG NO.	
DRAWN				NAME		SIGNATURE		DATE	
CHK'D									
APPV'D									
MFG									
Q.A								MATERIAL:	
								WEIGHT:	
								SCALE:1:5	
								SHEET 1 OF 2	
								A3	



VANT 151 Team 5 Structure

UNLESS OTHERWISE SPECIFIED: DIMENSIONS ARE IN MILLIMETERS				FINISH:		DEBURR AND BREAK SHARP EDGES		REVISION	
SURFACE FINISH:								Wenyu Tang Thompson Ma	
TOLERANCES:									
LINEAR:								TITLE:	
ANGULAR:									
	NAME	SIGNATURE	DATE						
DRAWN									
CHK'D									
APPV'D									
MFG									
Q.A						MATERIAL:		DWG NO.	A3
						WEIGHT:		SCALE:1:5	SHEET 2 OF 2