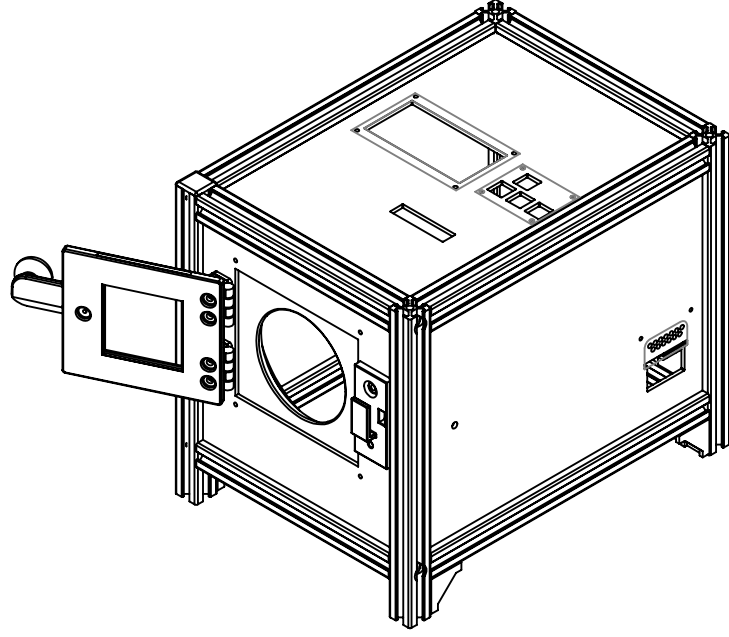
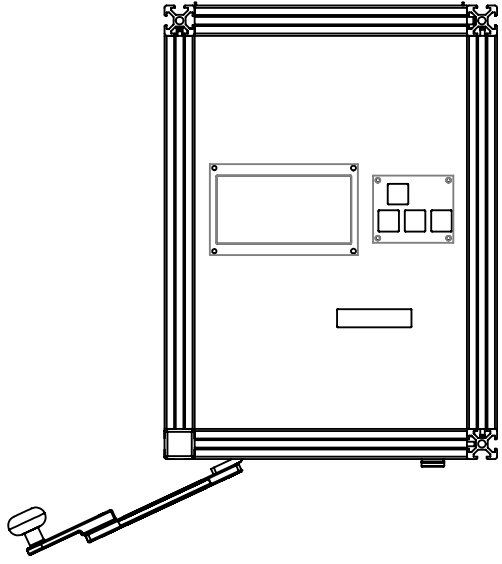


2

1

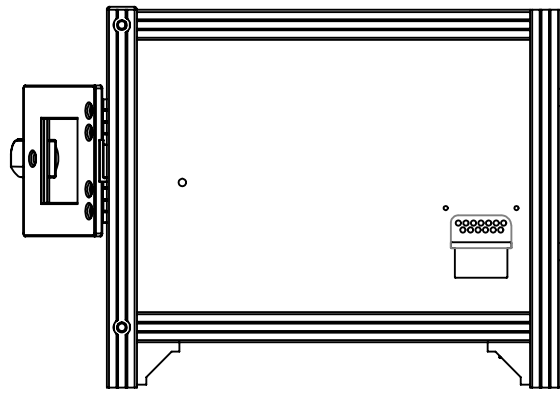
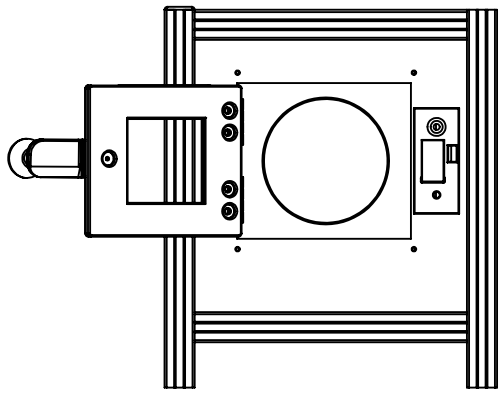
B

B



A

A



TITLE:
FRAME VIEW

SIZE	DWG. NO.	REV
A		
SCALE: 1:5		WEIGHT: 2377.01 SHEET 1 OF 1

2

1