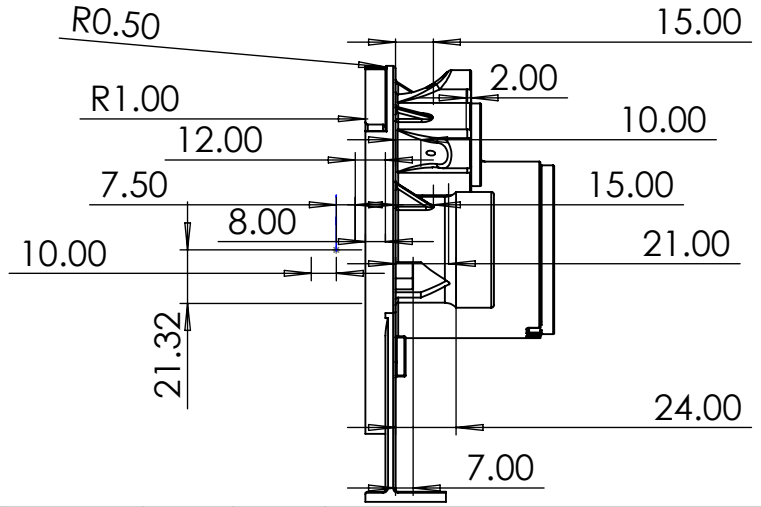
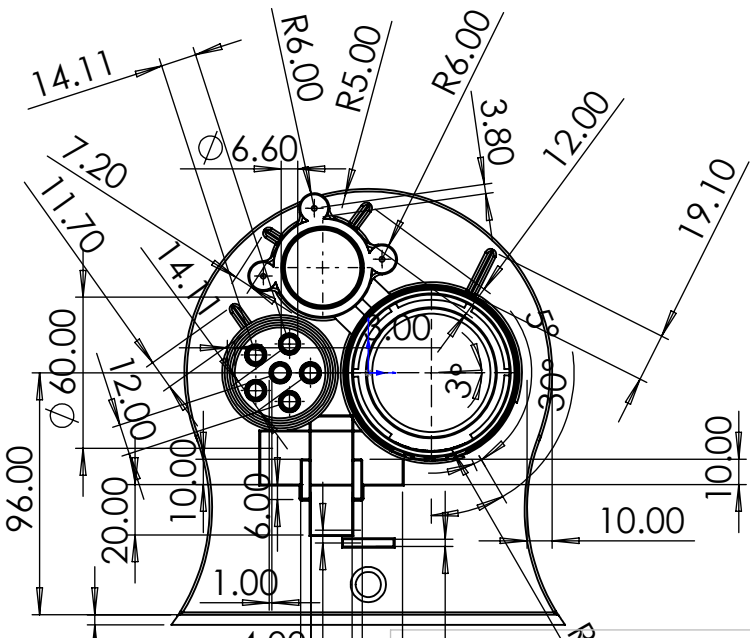
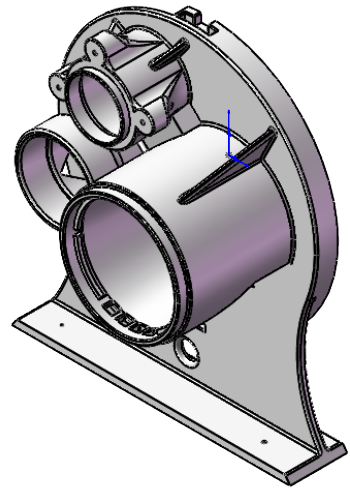
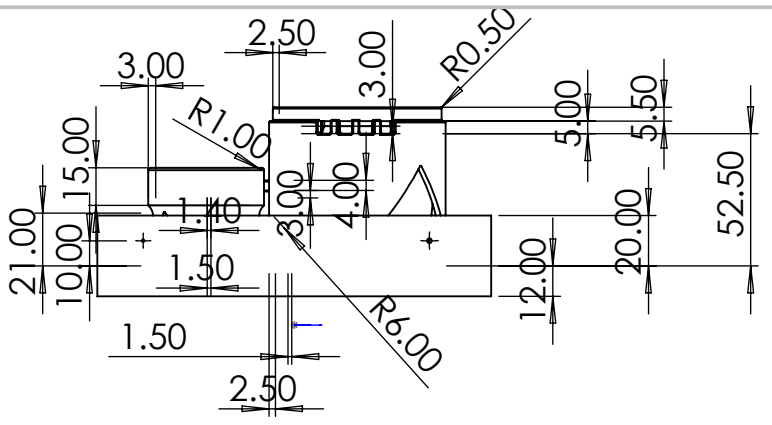


2 1

B

B



A

A

PROPRIETARY AND CONFIDENTIAL
 THE INFORMATION CONTAINED IN THIS DRAWING IS THE SOLE PROPERTY OF <INSERT COMPANY NAME HERE>. ANY REPRODUCTION IN PART OR AS A WHOLE WITHOUT THE WRITTEN PERMISSION OF <INSERT COMPANY NAME HERE> IS PROHIBITED.

	UNLESS OTHERWISE SPECIFIED:		NAME	DATE
	DIMENSIONS ARE IN INCHES	DRAWN		
	TOLERANCES:	CHECKED		
	FRACTIONAL ±	ENG APPR.		
	ANGULAR: MACH ± BEND ±	MFG APPR.		
	TWO PLACE DECIMAL ±	Q.A.		
	THREE PLACE DECIMAL ±	COMMENTS:		
	INTERPRET GEOMETRIC TOLERANCING PER:			
	MATERIAL			
	Material <not specified>			
	FINISH			
NEXT ASSY	USED ON			
APPLICATION	DO NOT SCALE DRAWING			

TITLE:
UBC Okanagan

SIZE DWG. NO. REV
A Back drum 3

SCALE: 1:5 WEIGHT: 230.24 SHEET 1 OF 1