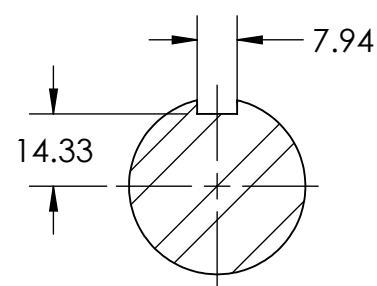
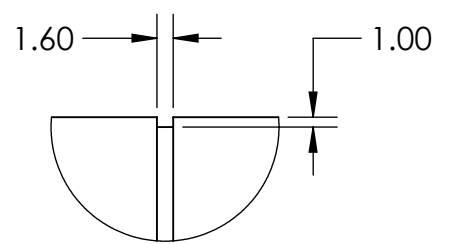


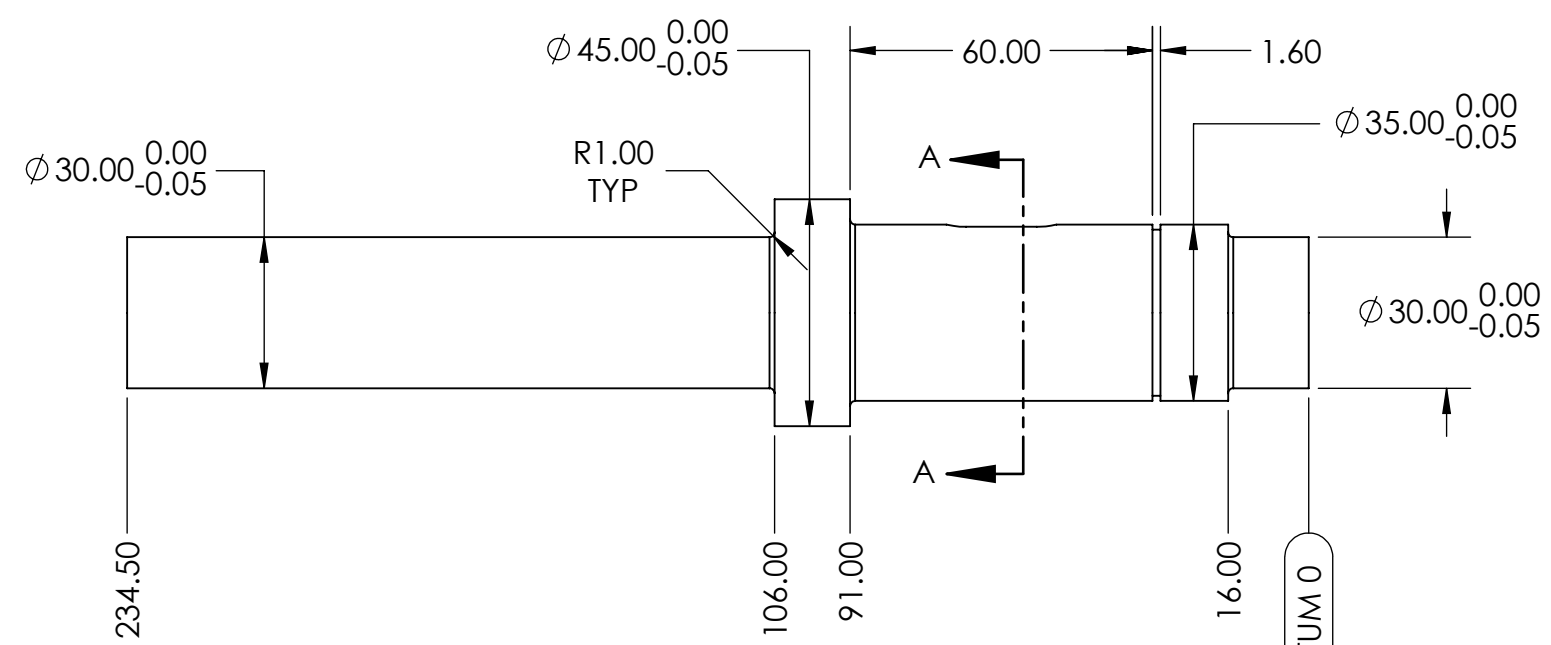
TOP VIEW  
SCALE 2:3



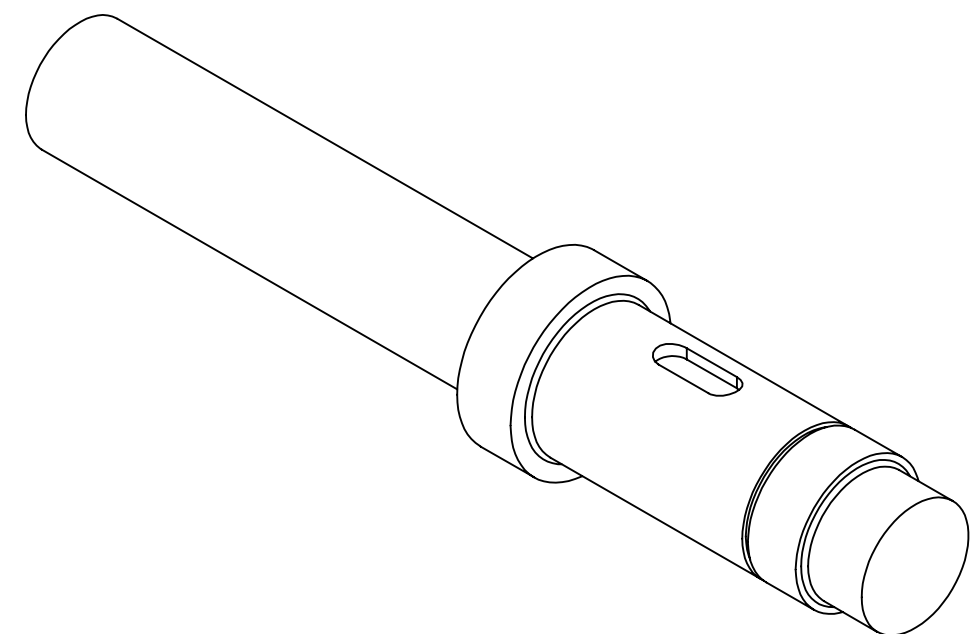
SECTION A-A  
SCALE 2:3  
KEYWAY DETAIL



DETAIL B  
SCALE 4:3  
SNAP RING GROOVE  
DETAIL



SIDE VIEW  
SCALE 2:3



ISOMETRIC VIEW  
SCALE 2:3

UNLESS OTHERWISE SPECIFIED:		NAME	DATE	<b>ENGR 380 -GROUP 4 GEARBOX DESIGN PROJECT</b>  TITLE: <b>PINION SHAFT</b>  SIZE <b>B</b> DWG. NO. <b>E380-G4-004</b> REV <b>0</b> SCALE: 1:2 WEIGHT: SHEET 1 OF 1
DIMENSIONS ARE IN MILLIMETERS TOLERANCES: 0.XX ± 0.1mm 0.XXX ± 0.050mm		DRAWN	DO 04/11/21	
		CHECKED		
		ENG APPR.		
		MFG APPR.		
INTERPRET GEOMETRIC TOLERANCING PER:		Q.A.		
MATERIAL AISI 1020		COMMENTS:		
FINISH				
DO NOT SCALE DRAWING				

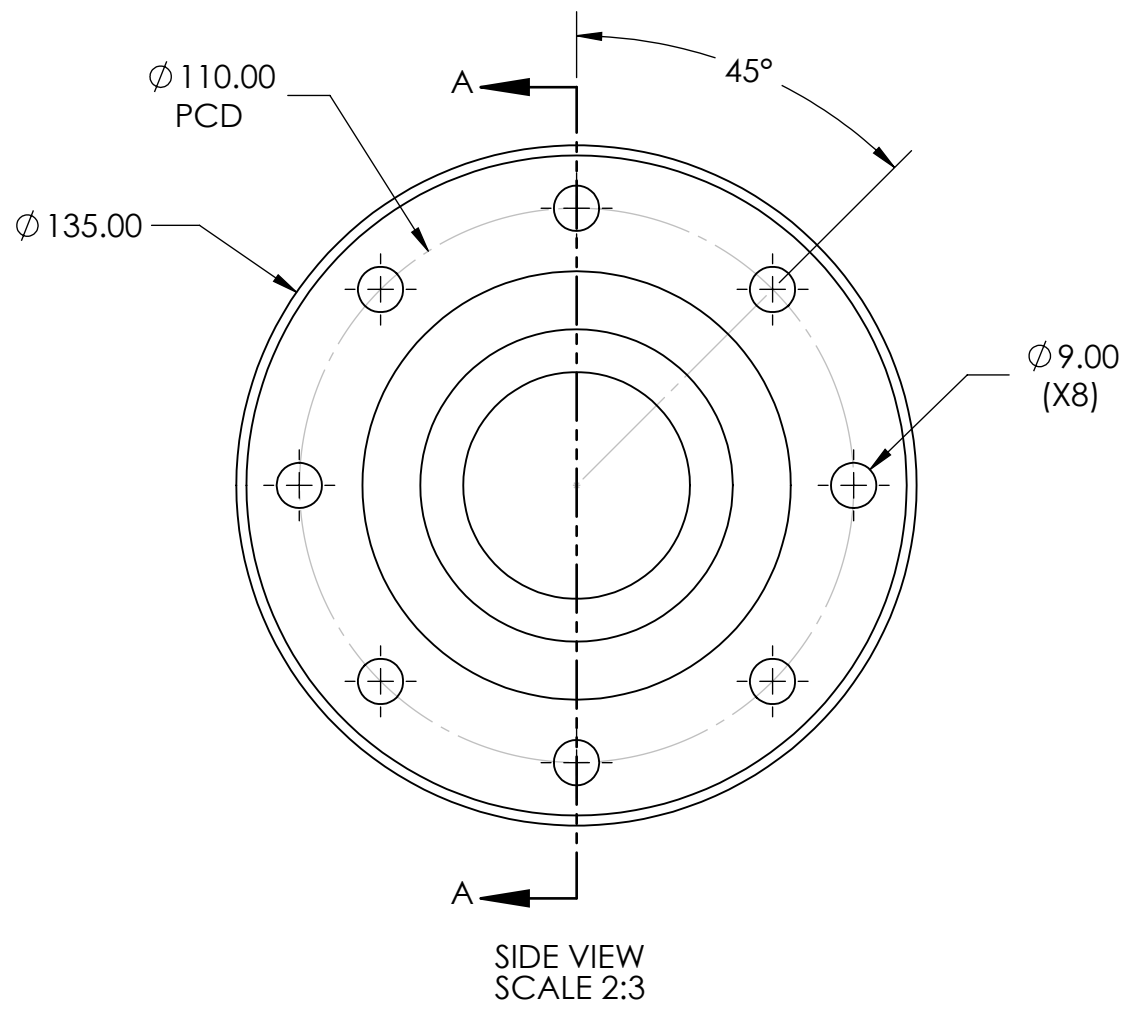
**ACADEMIC USE ONLY**  
THE INFORMATION CONTAINED IN THIS DRAWING IS FOR ACADEMIC PURPOSES ONLY. THE PART DETAILED ON THIS DRAWING IS NOT TO BE MANUFACTURED.

4

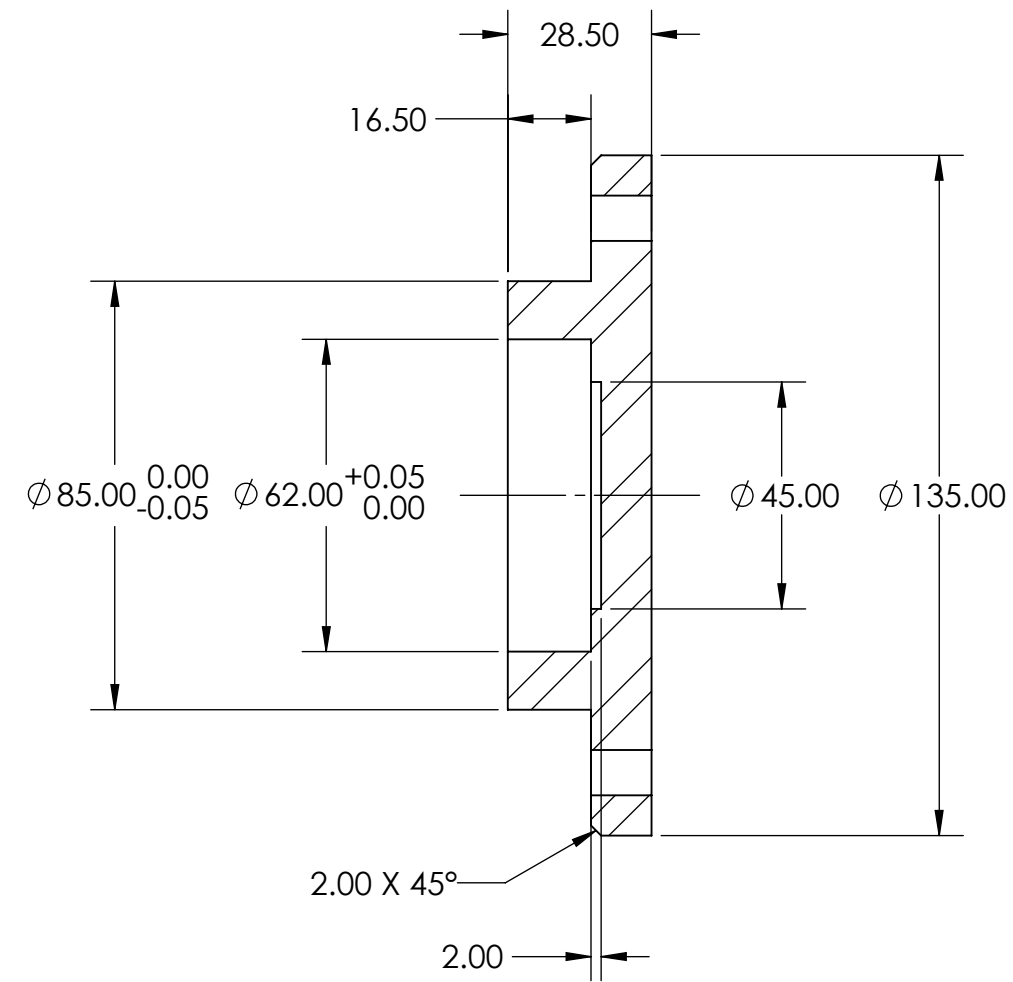
3

2

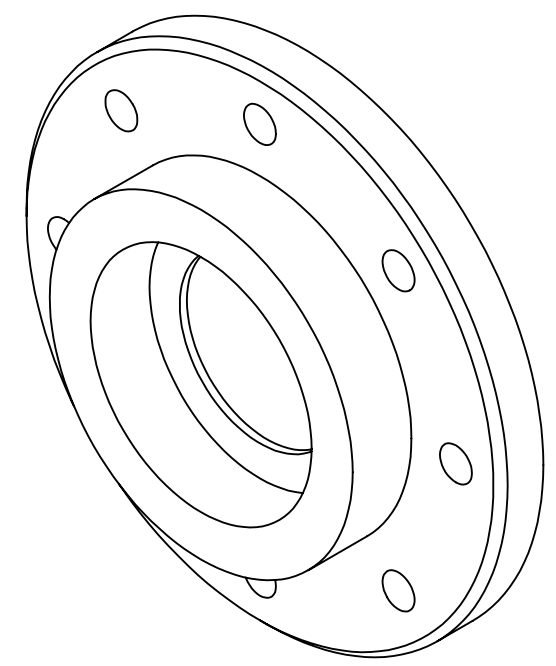
1



SIDE VIEW  
SCALE 2:3



SECTION A-A  
SCALE 2 : 3



ISOMETRIC VIEW  
SCALE 2:3

UNLESS OTHERWISE SPECIFIED:		NAME	DATE	ENGR 380 -GROUP 4 GEARBOX DESIGN PROJECT		
DIMENSIONS ARE IN MILLIMETERS		DRAWN	DO			04/11/21
TOLERANCES: 0.XX ± 0.1mm 0.XXX ± 0.050mm		CHECKED				
INTERPRET GEOMETRIC TOLERANCING PER:		ENG APPR.				
<b>ACADEMIC USE ONLY</b> THE INFORMATION CONTAINED IN THIS DRAWING IS FOR ACADEMIC PURPOSES ONLY. THE PART DETAILED ON THIS DRAWING IS NOT TO BE MANUFACTURED.		MATERIAL	Q.A.		TITLE: BEARING RETAINER, BLIND	
		FINISH	COMMENTS:			
		DO NOT SCALE DRAWING	MATERIAL AISI 1020 Steel, Cold Rolled		SIZE	DWG. NO.
				<b>B</b>	E380-G4-005	<b>0</b>
				SCALE: 1:2	WEIGHT:	SHEET 1 OF 1

4

3

2

1