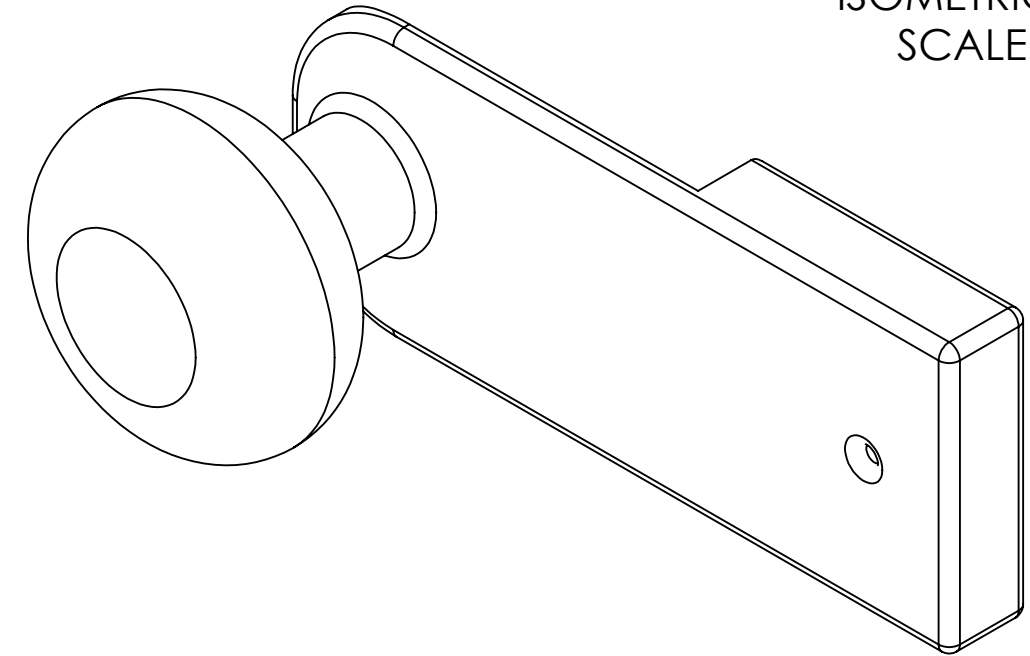
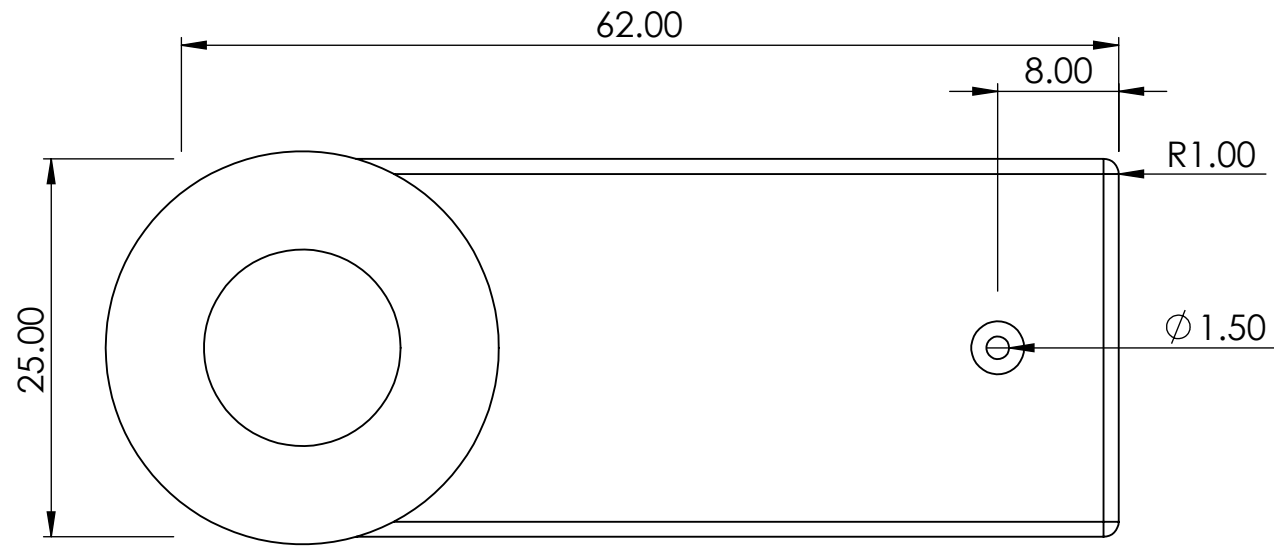


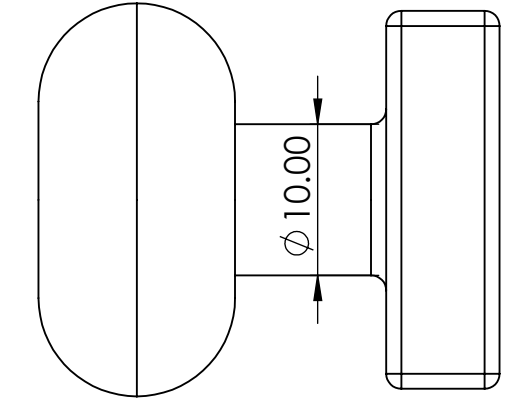
TOP VIEW
SCALE: 2:1



ISOMETRIC VIEW
SCALE: 2:1



FRONT VIEW
SCALE: 2:1



SIDE VIEW
SCALE: 2:1

UNLESS OTHERWISE SPECIFIED:		NAME	DATE
DIMENSIONS ARE IN MM TOLERANCES: 0.XX ± 0.1mm 0.XXX ± 0.05mm	DRAWN	FC & TZ	20/06/23
	CHECKED		
	ENG APPR.		
	MFG APPR.		
INTERPRET GEOMETRIC TOLERANCING PER:	Q.A.		
MATERIAL	COMMENTS:		
FINISH			
DO NOT SCALE DRAWING			

PROPRIETARY AND CONFIDENTIAL
THE INFORMATION CONTAINED IN THIS
DRAWING IS THE SOLE PROPERTY OF
<INSERT COMPANY NAME HERE>. ANY
REPRODUCTION IN PART OR AS A WHOLE
WITHOUT THE WRITTEN PERMISSION OF
<INSERT COMPANY NAME HERE> IS
PROHIBITED.

VANT 151 - TEAM 2
DOOR & LATCH DESIGN

TITLE:
Door Handle

SIZE	DWG. NO.	REV
B	V151-D1-001	

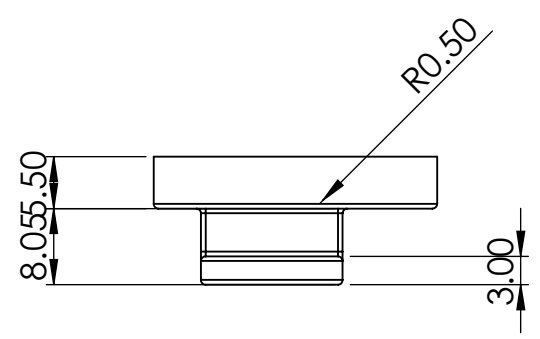
SCALE: 2:1 WEIGHT: SHEET 1 OF 3

4

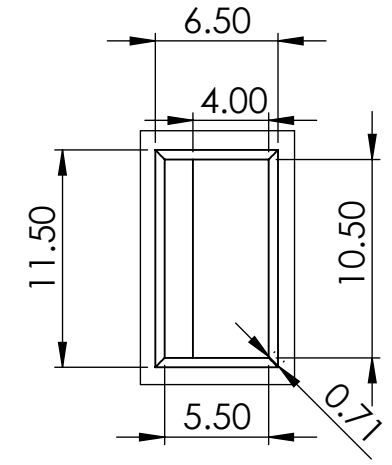
3

2

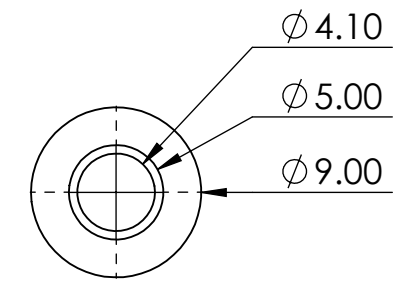
1



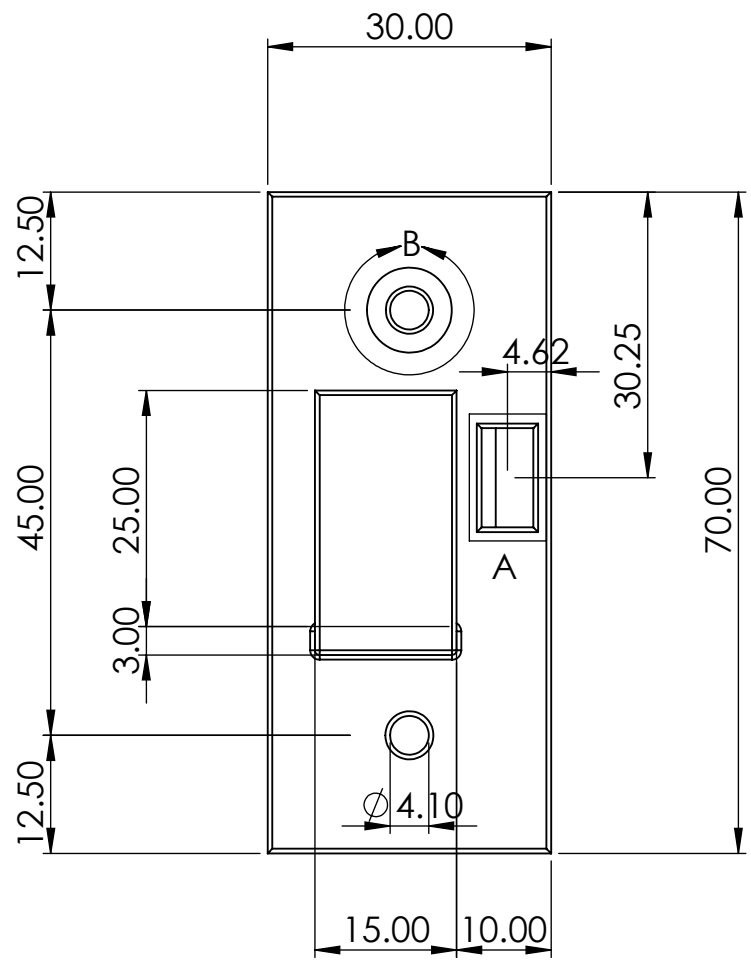
TOP VIEW
SCALE: 1.25:1



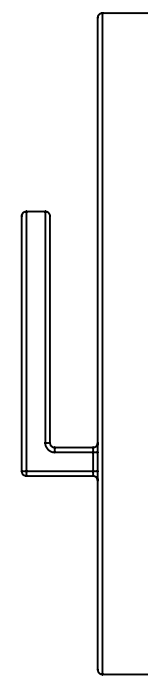
DETAIL A
SCALE 2.5 : 1



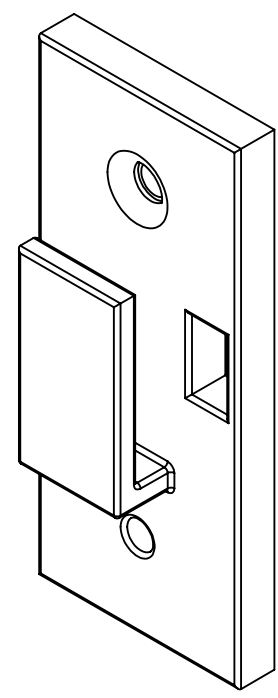
DETAIL B
SCALE 2.5 : 1



FRONT VIEW
SCALE: 1.25:1



SIDE VIEW
SCALE: 1.25:1



ISOMETRIC VIEW
SCALE: 1.25:1

B

B

A

A

UNLESS OTHERWISE SPECIFIED:		NAME	DATE
DIMENSIONS ARE IN MM TOLERANCES: 0.XX ± 0.1mm 0.XXX ± 0.05mm		DRAWN FC & TZ	20/06/23
INTERPRET GEOMETRIC TOLERANCING PER:		CHECKED	
MATERIAL		ENG APPR.	
FINISH		MFG APPR.	
DO NOT SCALE DRAWING		Q.A.	
		COMMENTS:	

PROPRIETARY AND CONFIDENTIAL
THE INFORMATION CONTAINED IN THIS DRAWING IS THE SOLE PROPERTY OF <INSERT COMPANY NAME HERE>. ANY REPRODUCTION IN PART OR AS A WHOLE WITHOUT THE WRITTEN PERMISSION OF <INSERT COMPANY NAME HERE> IS PROHIBITED.

VANT 151 - TEAM 2
DOOR & LATCH DESIGN

TITLE:
LATCH

SIZE B	DWG. NO. V151-D1-002	REV
------------------	--------------------------------	-----

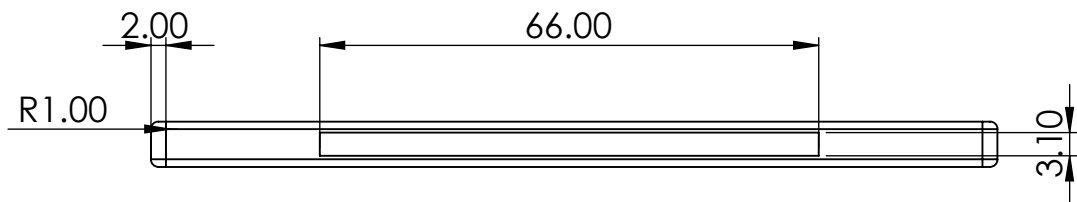
SCALE: 1.25:1 WEIGHT: SHEET 2 OF 3

4

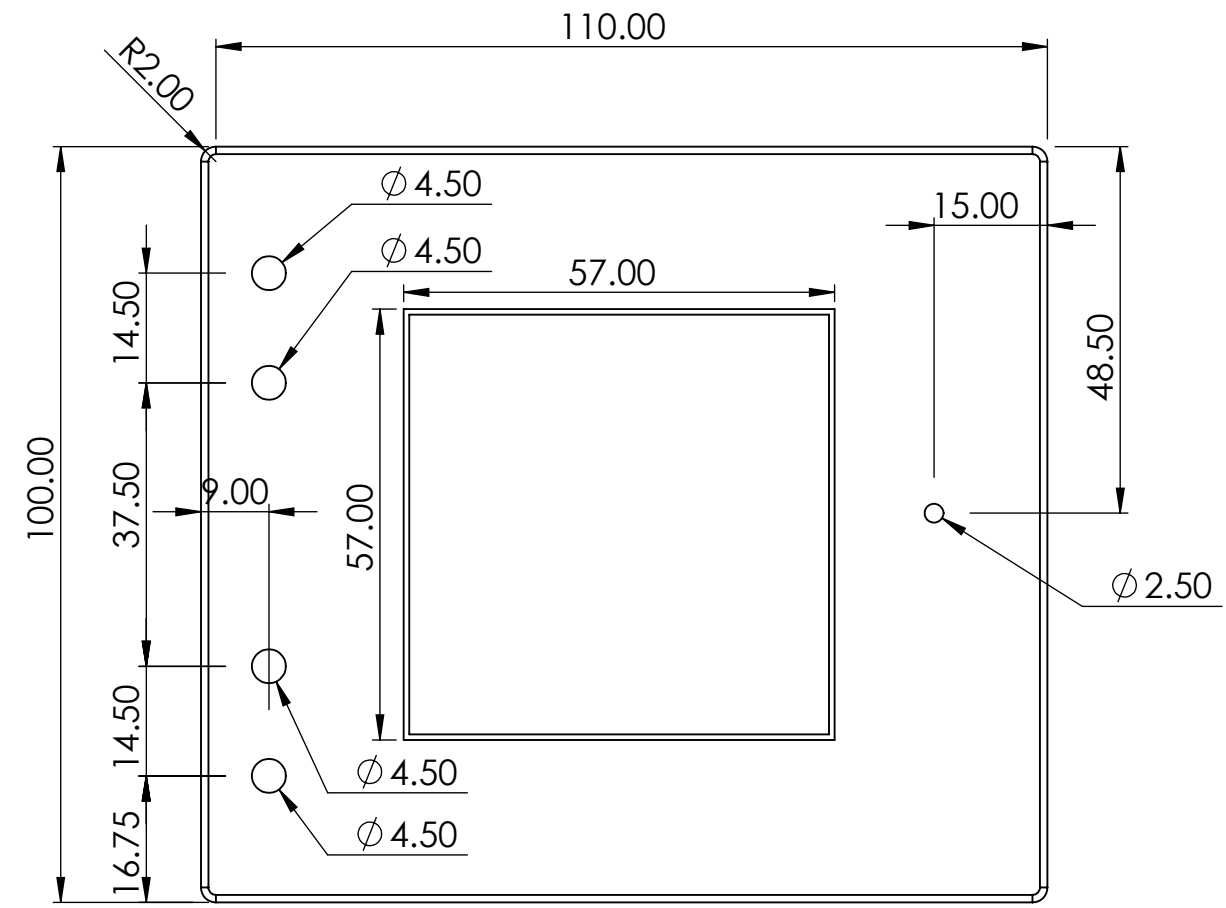
3

2

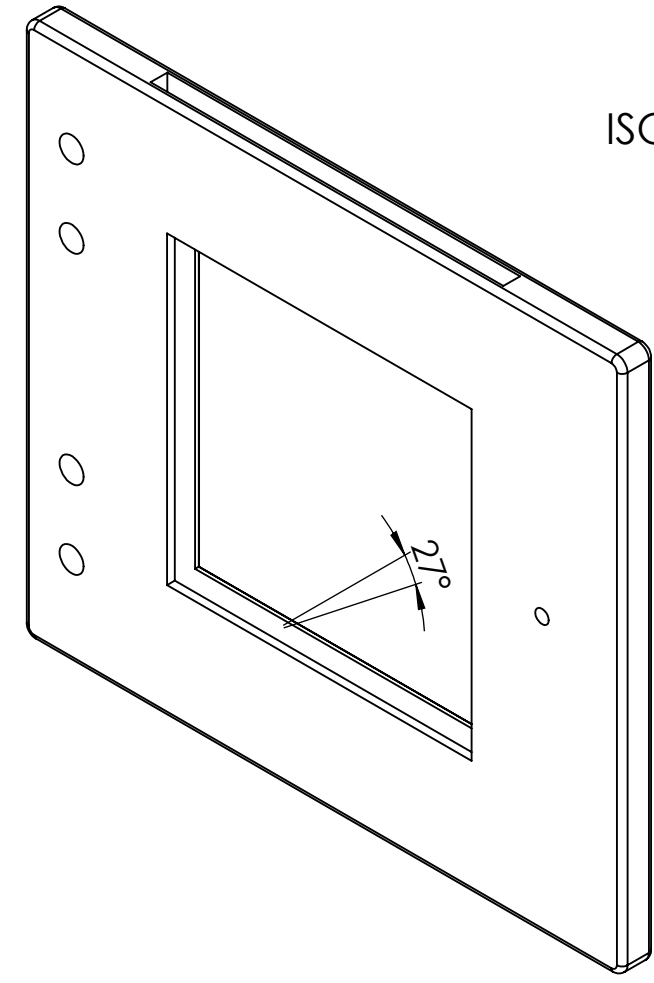
1



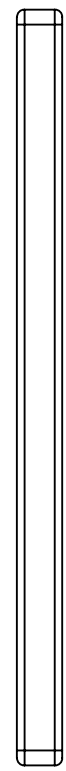
TOP VIEW
SCALE: 1:1



FRONT VIEW
SCALE: 1:1



ISOMETRIC VIEW
SCALE: 1:1



SIDE VIEW
SCALE: 1:1

PROPRIETARY AND CONFIDENTIAL
THE INFORMATION CONTAINED IN THIS DRAWING IS THE SOLE PROPERTY OF <INSERT COMPANY NAME HERE>. ANY REPRODUCTION IN PART OR AS A WHOLE WITHOUT THE WRITTEN PERMISSION OF <INSERT COMPANY NAME HERE> IS PROHIBITED.

UNLESS OTHERWISE SPECIFIED:		NAME	DATE
DIMENSIONS ARE IN MM		DRAWN	FC & TZ
TOLERANCES:		CHECKED	20/06/23
0.XX ± 0.1mm		ENG APPR.	
0.XXX ± 0.05mm		MFG APPR.	
INTERPRET GEOMETRIC TOLERANCING PER:		Q.A.	
MATERIAL		COMMENTS:	
FINISH			
DO NOT SCALE DRAWING			

VANT 151 - TEAM 2 DOOR & LATCH DESIGN		
TITLE: Door		
SIZE	DWG. NO.	REV
B	V151-D1-003	
SCALE: 1:1	WEIGHT:	SHEET 3 OF 3