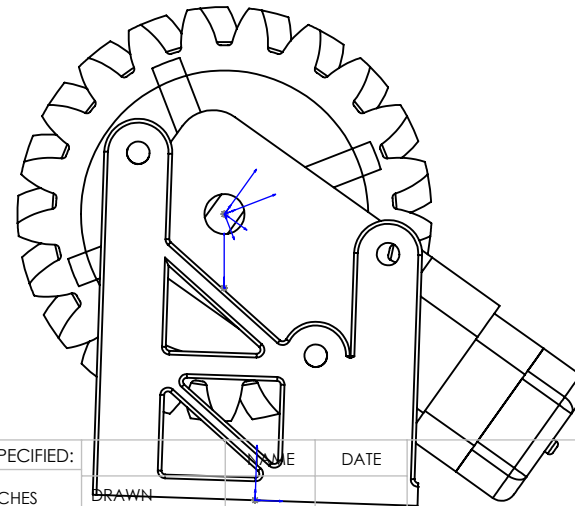
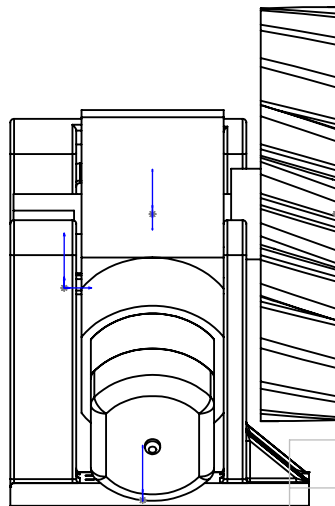
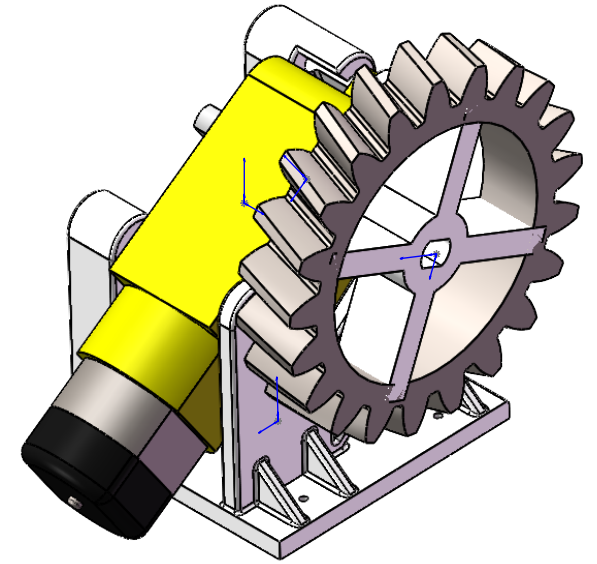
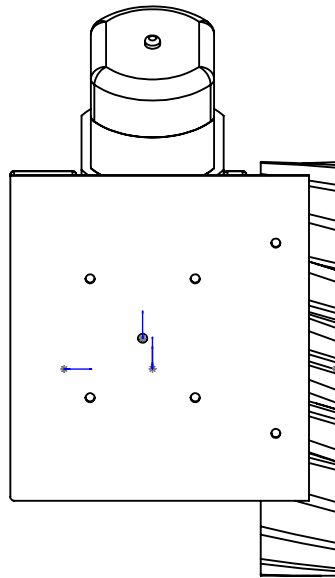


1

2

A

A



B

B

PROPRIETARY AND CONFIDENTIAL
 THE INFORMATION CONTAINED IN THIS DRAWING IS THE SOLE PROPERTY OF <INSERT COMPANY NAME HERE>. ANY REPRODUCTION IN PART OR AS A WHOLE WITHOUT THE WRITTEN PERMISSION OF <INSERT COMPANY NAME HERE> IS PROHIBITED.

		UNLESS OTHERWISE SPECIFIED: DIMENSIONS ARE IN INCHES TOLERANCES: FRACTIONAL ± ANGULAR: MACH ± BEND ± TWO PLACE DECIMAL ± THREE PLACE DECIMAL ±	DRAWN	NAME	DATE
		INTERPRET GEOMETRIC TOLERANCING PER: MATERIAL	CHECKED		
		FINISH	ENG APPR.		
NEXT ASSY	USED ON		MFG APPR.		
		APPLICATION	Q.A.		
		DO NOT SCALE DRAWING	COMMENTS:		

TITLE:
UBC Okanagan

SIZE DWG. NO. REV
Motor & Motor Mount
 SCALE: 1:2 WEIGHT: 38 SHEET 1 OF 1

1

2