

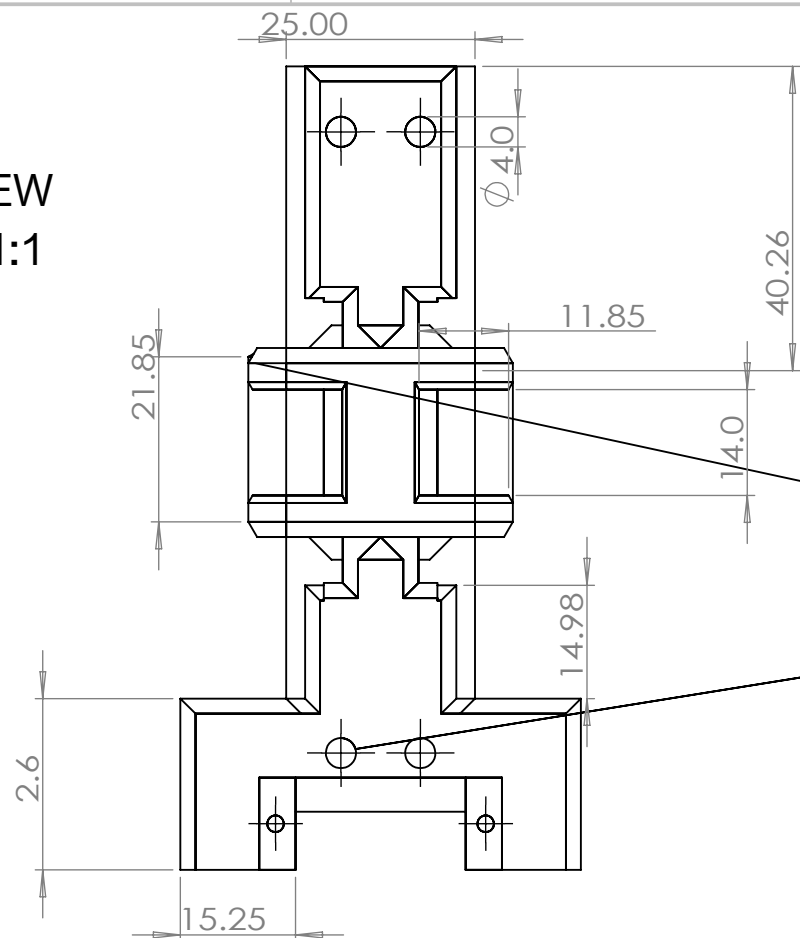
4

3

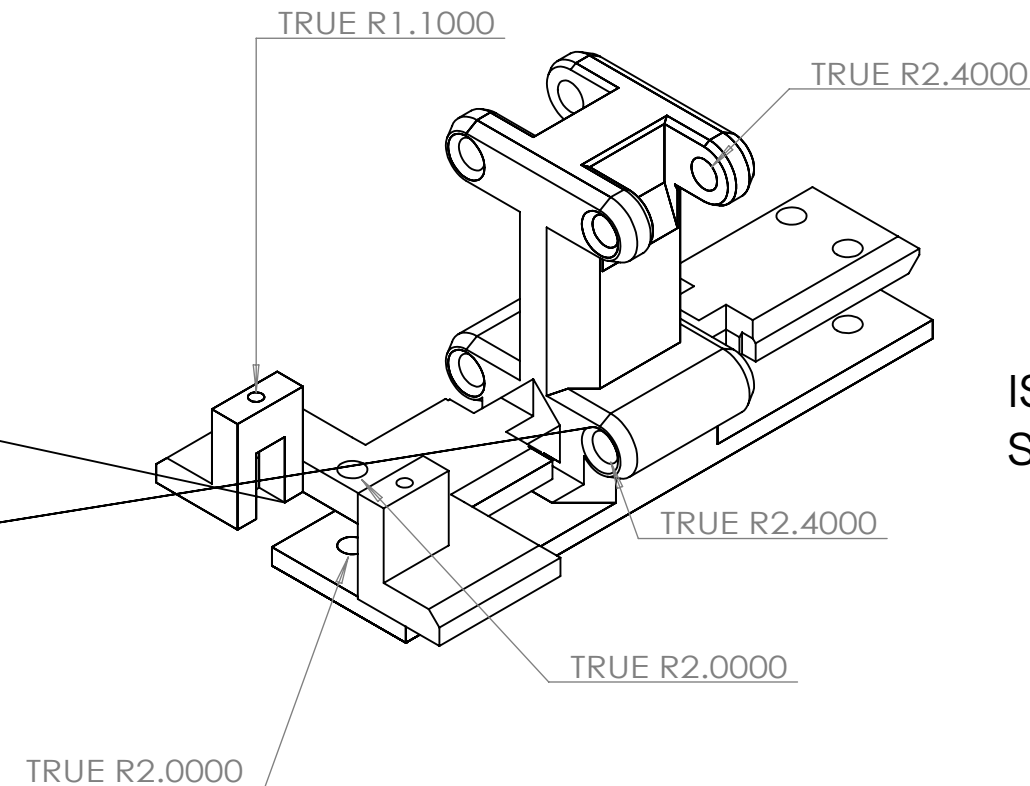
2

1

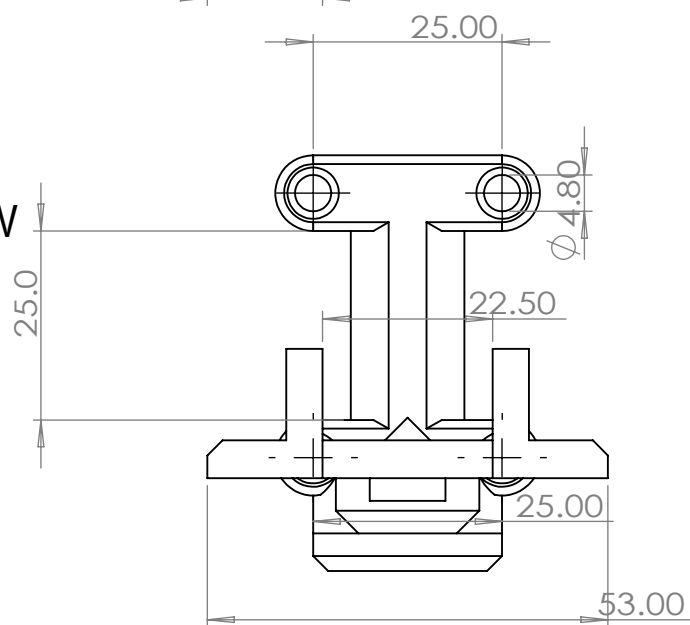
TOP VIEW
SCALE 1:1



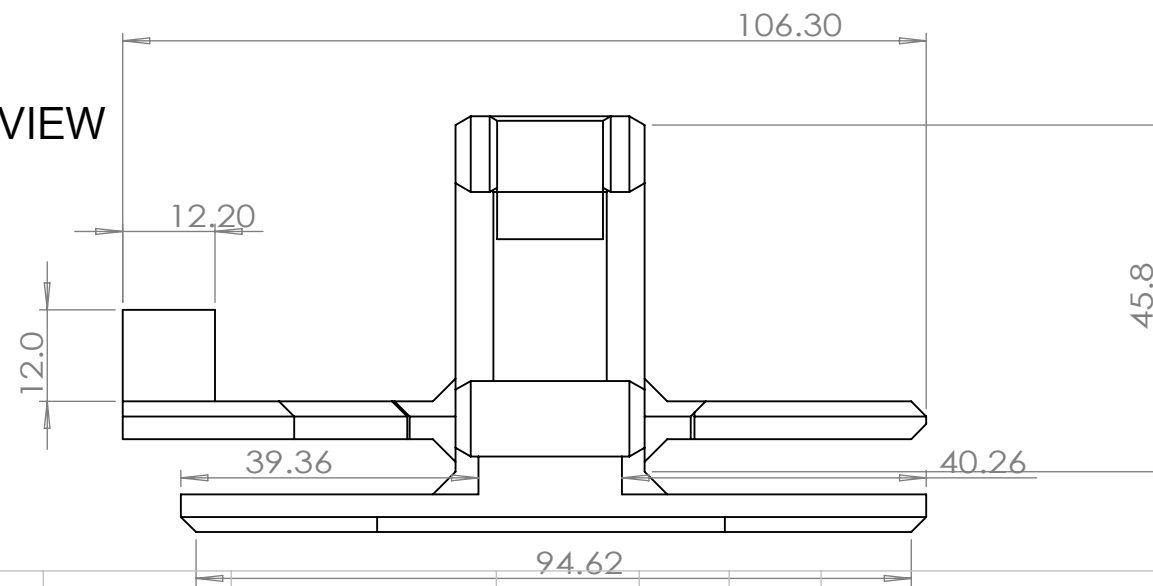
ISOMETRIC VIEW
SCALE 1:1



FRONT VIEW
SCALE 1:1



RIGHT SIDE VIEW
SCALE 1:1



VANT151-TEAM3

Subframe

B3

1 of 2

3

2

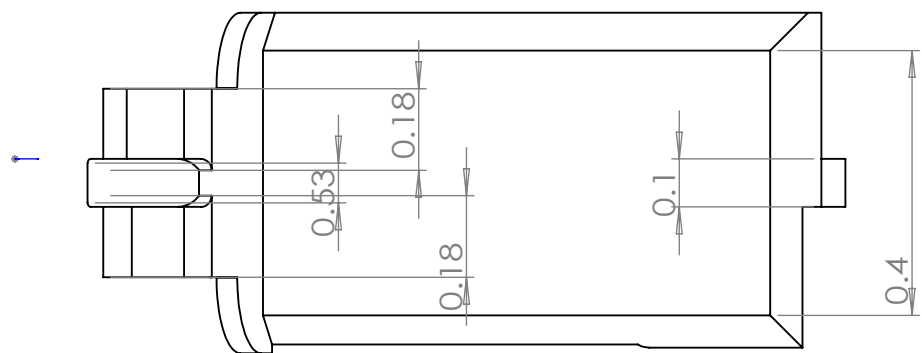
1

4

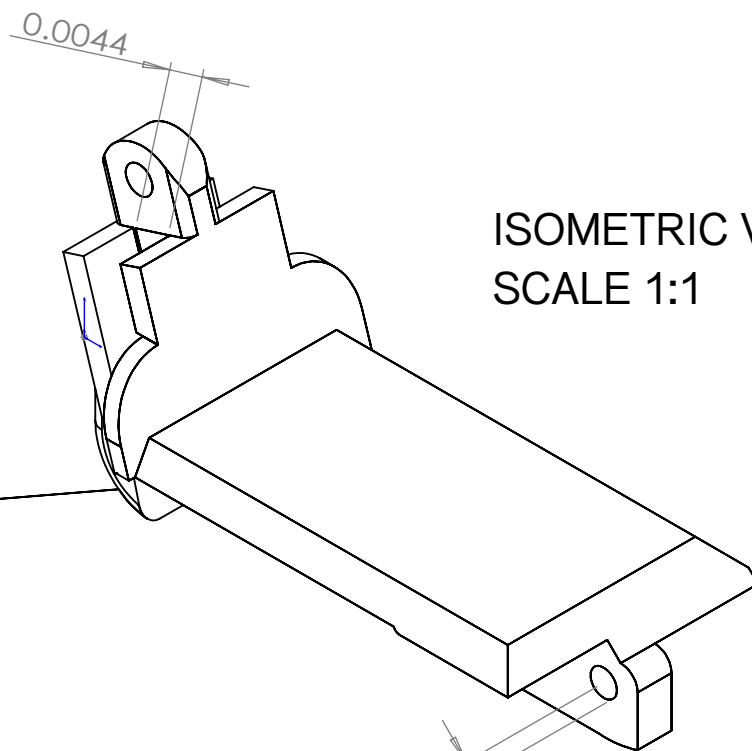
3

2

1



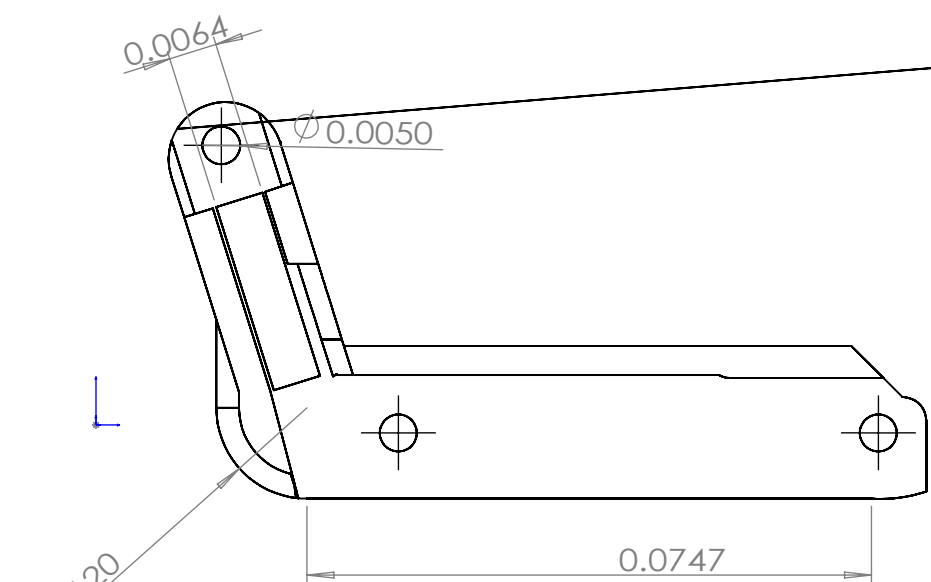
TOP VIEW
SCALE 1:1



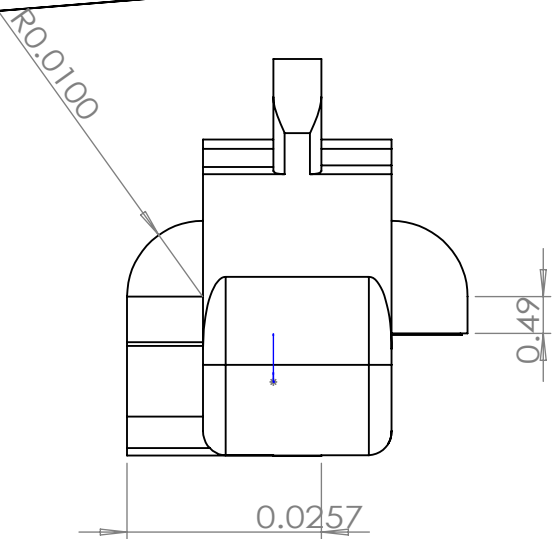
ISOMETRIC VIEW
SCALE 1:1

B

B



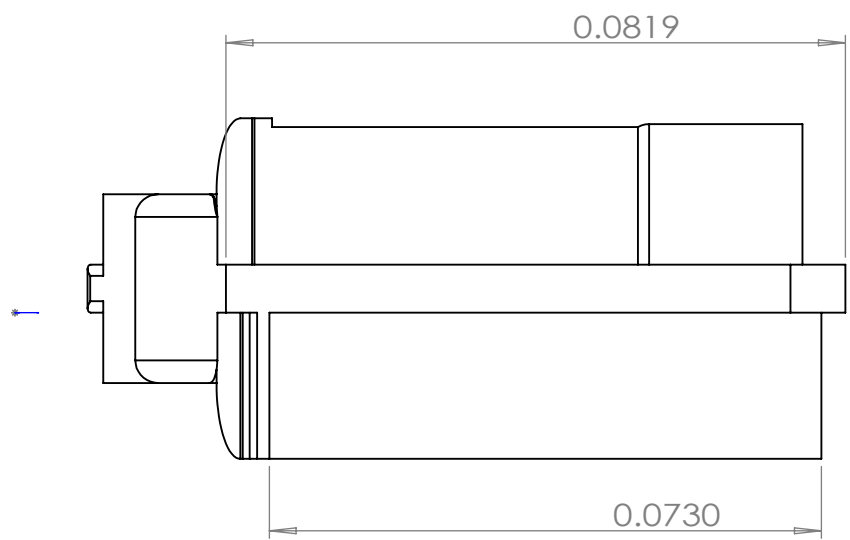
FRONT VIEW
SCALE 1:1



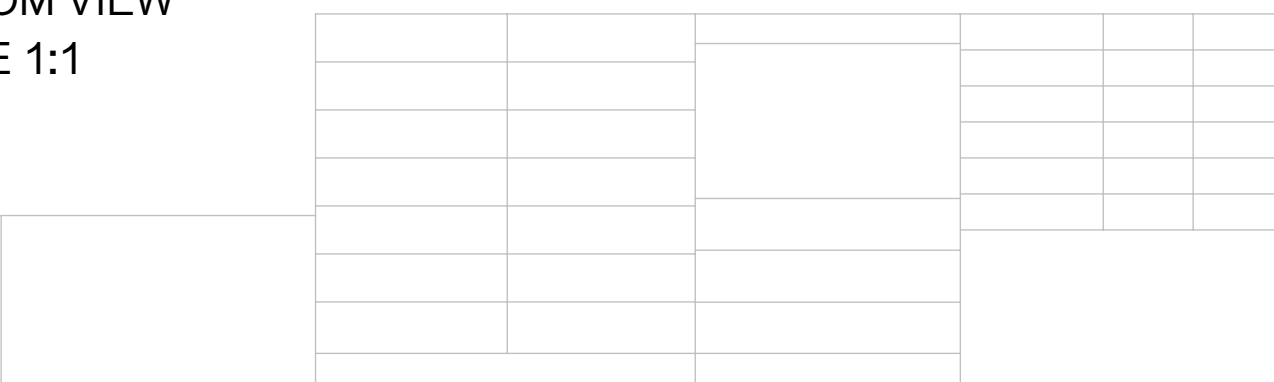
RIGHT SIDE VIEW
SCALE 1:1

A

A



BOTTOM VIEW
SCALE 1:1



VANT151-TEAM3

Powertrain
Mounting
Frame

B3

2 of 2

4

3

2

1